



Airless Spray Technology

Owner's Manual
Notice d'utilisation
Manual del Propietario
For professional use only

Do not use this equipment before reading this manual!

440i

Airless Sprayer



Model Number:
Complete 700-3000

NOTE: This manual contains important warnings and instructions. Please read and retain for reference.



Important Safety Information • Read all safety information before operating the equipment. Save these instructions.



This symbol indicates a hazardous situation, which, if not avoided could result in death or serious injury.



To reduce the risks of fire or explosion, electrical shock and the injury to persons, read and understand all instructions included in this manual. Be familiar with the controls and proper usage of the equipment.

HAZARD: INJECTION INJURY

A high pressure paint stream produced by this equipment can pierce the skin and underlying tissues, leading to serious injury and possible amputation. See a physician immediately.



DO NOT TREAT AN INJECTION INJURY AS A SIMPLE CUT! Injection can lead to amputation. See a physician immediately.

The maximum operating range of the sprayer is 3200 PSI / 22.1 MPa fluid pressure.

PREVENTION:

- NEVER aim the gun at any part of the body.
- Do not aim the gun at, or spray any person or animal.
- NEVER allow any part of the body to touch the fluid stream. DO NOT allow body to touch a leak in the fluid hose.
- NEVER put your hand in front of the gun. Gloves will not provide protection against an injection injury.
- ALWAYS lock the gun trigger, shut the pump off, and release all pressure before servicing, cleaning the tip or guard, changing tip, or leaving unattended. Pressure will not be released by turning off the motor. The PRIME/SPRAY valve or pressure bleed valve must be turned to their appropriate positions to relieve system pressure. Refer to the PRESSURE RELIEF PROCEDURE described in this manual.
- ALWAYS keep the tip guard in place while spraying. The tip guard provides some protection but is mainly a warning device.
- ALWAYS remove the spray tip before flushing or cleaning the system.
- Paint hose can develop leaks from wear, kinking and abuse. A leak can inject material into the skin. Inspect the hose before each use. Do not use hose to lift or pull equipment.
- NEVER use a spray gun without a working trigger lock and trigger guard in place.
- All accessories must be rated at or above 3200 PSI / 22.1 MPa. This includes spray tips, guns, extensions, and hose.
- Do not leave the unit energized or under pressure while unattended. When the unit is not in use, turn off the unit and relieve the pressure in accordance with the PRESSURE RELIEF PROCEDURE described in this manual.
- Verify that all connections are secure before operating the unit. Unsecured parts may eject at great force or leak a high pressure fluid stream causing severe injury.
- Always engage the trigger lock when not spraying. Verify the trigger lock is functioning properly.

NOTE TO PHYSICIAN:

Injection into the skin is a traumatic injury. It is important to treat the injury as soon as possible. DO NOT delay treatment to research toxicity. Toxicity is a concern with some coatings injected directly into the blood stream. Consultation with a plastic surgeon or reconstructive hand surgeon may be advisable.

HAZARD: HAZARDOUS VAPORS

Paints, solvents, insecticides, and other materials can be harmful if inhaled or come in contact with the body. Vapors can cause severe nausea, fainting, or poisoning.



PREVENTION:

- Use a respirator or mask if vapors can be inhaled. Read all instructions supplied with the mask to be sure it will provide the necessary protection.
- Wear protective eyewear.
- Wear protective clothing as required by coating manufacturer.



HAZARD: EXPLOSION OR FIRE

Solvent and paint fumes can explode or ignite. Property damage and/or severe injury can occur.



PREVENTION:

- Provide extensive exhaust and fresh air introduction to keep the air within the spray area free from accumulation of flammable vapors. Solvent and paint fumes can explode or ignite.
- Do not spray in a confined area.
- Avoid all ignition sources such as static electric sparks, open flames, pilot lights, electrical appliances, and hot objects. Connecting or disconnecting power cords or working light switches can make sparks. Paint or solvent flowing through the equipment is able to result in static electricity.
- Do not smoke in spray area.
- Fire extinguisher must be present and in good working order.
- Place pump at least 25 feet (7.62 meters) from the spray object in a well ventilated area (add more hose if necessary). Flammable vapors are often heavier than air. Floor area must be extremely well ventilated. The pump contains arcing parts that emit sparks and can ignite vapors.
- The equipment and objects in and around the spray area must be properly grounded to prevent static sparks.
- Keep area clean and free of paint or solvent containers, rags and other flammable materials.
- Use only conductive or grounded high pressure fluid hose. Gun must be grounded through hose connections.
- For electric units — power cord must be connected to a grounded circuit.
- Always flush unit into a separate metal container, at low pump pressure, with spray tip removed. Hold gun firmly against side of container to ground container and prevent static sparks.
- Follow the material and solvent manufacturer's warnings and instructions. Know the contents of the paints and solvents being sprayed. Read all Material Safety Data Sheets (MSDS) and container labels provided with the paints and solvents. Follow the paint and solvent manufacturer's safety instructions.
- Use extreme caution when using materials with a flashpoint below 70°F (21°C). Flashpoint is the temperature that a fluid can produce enough vapors to ignite.
- Plastic can cause static sparks. Never hang plastic to enclose a spray area. Do not use plastic drop cloths when spraying flammable materials.
- Use lowest possible pressure to flush equipment.
- Do not spray onto pump assembly.





Important Safety Information • Read all safety information before operating the equipment. Save these instructions.

HAZARD: EXPLOSION HAZARD DUE TO INCOMPATIBLE MATERIALS



Will cause property damage or severe injury.

PREVENTION:

- Do not use materials containing bleach or chlorine.
- Do not use halogenated hydrocarbon solvents such as bleach, mildewcide, methylene chloride and 1,1,1 - trichloroethane. They are not compatible with aluminum.
- Contact your coating supplier about the compatibility of material with aluminum.

HAZARD: GENERAL

Can cause severe injury or property damage.

- Read all instructions and safety precautions before operating equipment.
- Follow all appropriate local, state, and national codes governing ventilation, fire prevention, and operation.
- The United States Government Safety Standards have been adopted under the Occupational Safety and Health Act (OSHA). These standards, particularly part 1910 of the General Standards and part 1926 of the Construction Standards should be consulted.
- Use only manufacturer authorized parts. User assumes all risks and liabilities when using parts that do not meet the minimum specifications and safety requirements of the pump manufacturer.
- All hoses, fittings, and filter parts must be secured before operating spray pump. Unsecured parts can eject at great force or leak a high pressure fluid stream causing severe injury.
- Before each use, check all hoses for cuts, leaks, abrasion or bulging of cover. Check for damage or movement of couplings. Immediately replace the hose if any of these conditions exist. Never repair a paint hose. Replace it with another grounded high-pressure hose.
- Do not kink or over-bend the hose. Airless hose can develop leaks from wear, kinking and abuse. A leak can inject material into the skin.
- Do not expose the hose to temperatures or pressures in excess of those specified by manufacturer.
- Do not spray outdoors on windy days.
- Wear clothing to keep paint off skin and hair.
- Do not operate or spray near children. Keep children away from the equipment at all times.
- Do not overreach or stand on an unstable support. Keep effective footing and balance at all times.
- Use lowest possible pressure to flush equipment.
- Stay alert and watch what you are doing.
- Do not operate the unit when fatigued or under the influence of drugs or alcohol.
- For electric units — Always unplug cord from outlet before working on equipment.
- Do not use the hose as a strength member to pull or lift the equipment.
- Do not lift by cart handle when loading or unloading.

Grounding Instructions

This product must be grounded. In the event of an electrical short circuit, grounding reduces the risk of electric shock by providing an escape wire for the electric current. This product is equipped with a cord having a grounding wire with an appropriate grounding plug. The plug must be plugged into an outlet that is properly installed and grounded in accordance with all local codes and ordinances.

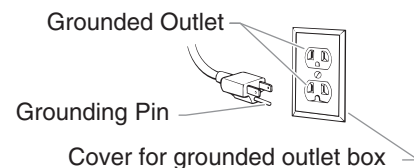


Improper installation of the grounding plug can result in a risk of electric shock.



If repair or replacement of the cord or plug is necessary, do not connect the green grounding wire to either flat blade terminal. The wire with insulation having a green outer surface with or without yellow stripes is the grounding wire and must be connected to the grounding pin.

Check with a qualified electrician or serviceman if the grounding instructions are not completely understood, or if you are in doubt as to whether the product is properly grounded. Do not modify the plug provided. If the plug will not fit the outlet, have the proper outlet installed by a qualified electrician.



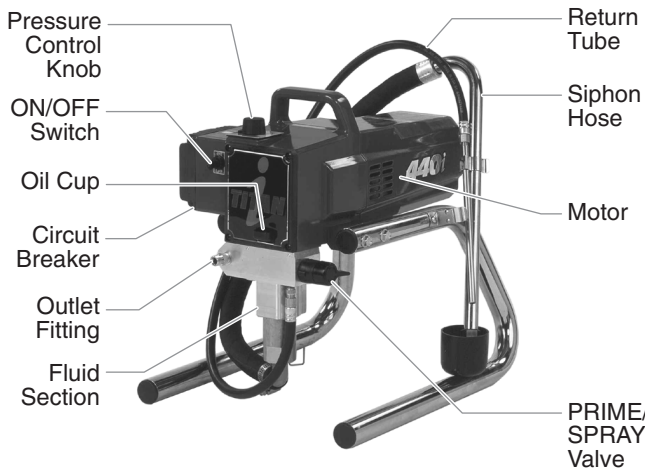
IMPORTANT: Use only a 3-wire extension cord that has a 3-blade grounding plug and a 3-slot receptacle that will accept the plug on the product. Make sure your extension cord is in good condition. When using an extension cord, be sure to use one heavy enough to carry the current your product will draw. An undersized cord will cause a drop in line voltage resulting in loss of power and overheating. A 12 gauge cord is recommended. If an extension cord is to be used outdoors, it must be marked with the suffix W-A after the cord type designation. For example, a designation of SJTW-A would indicate that the cord would be appropriate for outdoor use.

Table of Contents

- Safety Precautions.....2
- General Description.....4
- Operation.....4
 - Setup.....4
 - Preparing to Paint.....5
 - Painting.....5
 - Electronic Pressure Control Indicators.....5
 - Pressure Relief Procedure.....6
- Spraying.....6
 - Spraying Technique.....6
 - Practice.....6
- Cleanup.....7
- Maintenance.....8
 - General Repair and Service Notes.....8
 - Replacing the Motor.....8
 - Replacing the Motor Brushes.....8
 - Replacing the Gears.....8
 - Replacing the Transducer.....9
 - Replacing the PRIME/SPRAY Valve.....9
 - Servicing the Fluid Section.....10
 - Replacing the Filters.....11
- Troubleshooting.....12
- Parts Listings.....38
 - Main Assembly.....38
 - Motor Assembly.....39
 - Gear Box Assembly.....40
 - Fluid Section Assembly.....42
 - Stand Assembly.....44
 - Suction Set Assembly.....44
 - Electrical Schematic.....45
 - Accessories.....46
- Warranty.....48

General Description

This airless sprayer is a precision power tool used for spraying many types of materials. Read and follow this instruction manual carefully for proper operating instructions, maintenance, and safety information.



Operation



This equipment produces a fluid stream at extremely high pressure. Read and understand the warnings in the Safety Precautions section at the front of this manual before operating this equipment.

Setup

Perform the following procedure before plugging in the power cord of an electric unit.

1. Ensure that the suction set and the return hose are attached and secure.
2. Using a wrench, attach a minimum of 50' of 1/4" nylon airless spray hose to the unit. Tighten securely.
3. Attach an airless spray gun to the spray hose. Using two wrenches (one on the gun and one on the hose), tighten securely.

NOTE: Do not attach the tip to the spray gun yet. Remove the tip if it is already attached.



Make sure all airless hoses and spray guns are electrically grounded and rated for at least 3200 psi (21.1 MPa) fluid pressure.

4. Make sure the pressure control knob is in its OFF position in the black zone.
5. Make sure the ON/OFF switch is in its OFF position.
6. Fill the oil cup with one tablespoon of piston seal lubricant (Piston Lube).

IMPORTANT: Never operate unit for more than ten seconds without fluid. Operating this unit without fluid will cause unnecessary wear to the packings.

7. Make sure the electrical service is 120V, 15 amp minimum.
8. Plug the power cord into a properly grounded outlet at least 25' from the spray area.

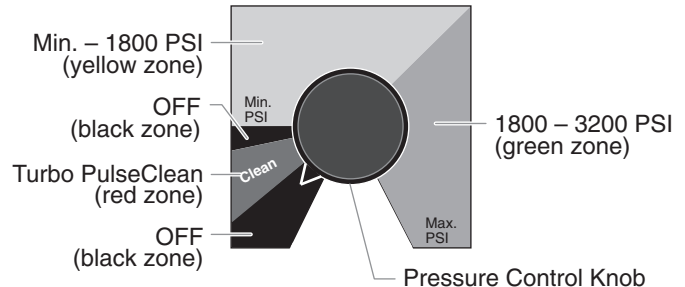
IMPORTANT: Always use a minimum 12 gauge, three-wire extension cord with a grounded plug. Never remove the third prong or use an adapter.

Preparing a New Sprayer

If this unit is new, it is shipped with test fluid in the fluid section to prevent corrosion during shipment and storage. This fluid must be thoroughly cleaned out of the system with mineral spirits before you begin spraying.

IMPORTANT: Always keep the trigger lock on the spray gun in the locked position while preparing the system.

1. Place the suction tube into a container of mineral spirits.
2. Place the return hose into a metal waste container.
3. Set the pressure to minimum by turning the pressure control knob to the "Min" setting in the yellow zone.



4. Move the PRIME/SPRAY valve down to the PRIME position.
5. Turn the unit on by moving the ON/OFF switch to the ON position.
6. Allow the sprayer to run for 15–30 seconds to flush the test fluid out through the return hose and into the waste container.
7. Turn the unit off by moving the ON/OFF switch to the OFF position.

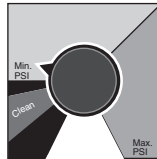
Preparing to Paint

Before painting, it is important to make sure that the fluid in the system is compatible with the paint that is going to be used.

NOTE: Incompatible fluids and paint may cause the valves to become stuck closed, which would require disassembly and cleaning of the sprayer's fluid section.

IMPORTANT: Always keep the trigger lock on the spray gun in the locked position while preparing the system.

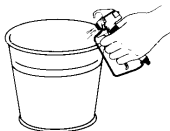
1. Place the suction tube into a container of the appropriate solvent. Examples of the appropriate solvent are water for latex paint or mineral spirits for oil-based paints.
2. Place the return hose into a metal waste container.
3. Set the pressure to minimum by turning the pressure control knob to the "Min" setting in the yellow zone.
4. Move the PRIME/SPRAY valve down to the PRIME position.
5. Turn the unit on by moving the ON/OFF switch to the ON position.
6. Allow the sprayer to run for 15–30 seconds to flush the old solvent out through the return hose and into the metal waste container.
7. Turn the unit off by moving the ON/OFF switch to the OFF position.



NOTE: Make sure that the spray gun does not have a tip or tip guard installed.

8. Move the PRIME/SPRAY valve up to the SPRAY position.
9. Turn the unit on.
10. Unlock the gun by turning the gun trigger lock to the unlocked position.

! Ground the gun by holding it against the edge of the metal container while flushing. Failure to do so may lead to a static electric discharge, which may cause a fire.



11. Trigger the gun into the metal waste container until the old solvent is gone and fresh solvent is coming out of the gun.
12. Lock the gun by turning the gun trigger lock to the locked position.
13. Set down the gun and increase the pressure by turning the pressure control knob slowly clockwise into the green zone.
14. Check the entire system for leaks. If leaks occur, follow the "Pressure Relief Procedure" in this manual before tightening any fittings or hoses.
15. Follow the "Pressure Relief Procedure" in this manual before changing from solvent to paint.

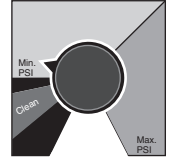


Trigger lock in locked position.

! Be sure to follow the pressure relief procedure when shutting down the sprayer for any purpose, including servicing or adjusting any part of the spray system, changing or cleaning spray tips, or preparing for cleanup.

Painting

1. Place the suction tube into a container of paint.
2. Place the return hose into a metal waste container.
3. Set the pressure to minimum by turning the pressure control knob to the "Min" setting in the yellow zone.
4. Move the PRIME/SPRAY valve down to the PRIME position.
5. Turn the unit on by moving the ON/OFF switch to the ON position.
6. Allow the sprayer to run until paint is coming through the return hose into the metal waste container.
7. Turn the unit off by moving the ON/OFF switch to the OFF position.
8. Remove the return hose from the waste container and place it in its operating position above the container of paint.
9. Move the PRIME/SPRAY valve up to the SPRAY position.
10. Turn the unit on.
11. Unlock the gun by turning the gun trigger lock to the unlocked position.



! Ground the gun by holding it against the edge of the metal container while flushing. Failure to do so may lead to a static electric discharge, which may cause a fire.



12. Trigger the gun into the metal waste container until all air and solvent is flushed from the spray hose and paint is flowing freely from the gun.
13. Lock the gun by turning the gun trigger lock to the locked position.
14. Turn the unit off.
15. Attach tip guard and tip to the gun as instructed by the tip guard or tip manuals.



Trigger lock in locked position.

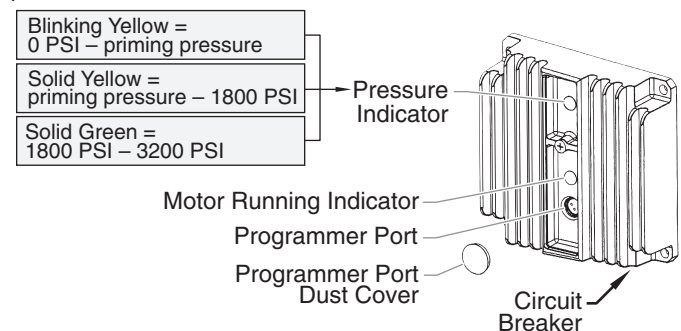
! POSSIBLE INJECTION HAZARD. Do not spray without the tip guard in place. Never trigger the gun unless the tip is in either the spray or the unclog position. Always engage the gun trigger lock before removing, replacing or cleaning tip.

16. Turn the unit on.
17. Increase the pressure by turning the pressure control knob slowly clockwise toward the green zone and test the spray pattern on a piece of cardboard. Adjust the pressure control knob until the spray from the gun is completely atomized. Try to keep the pressure control knob at the lowest setting that maintains good atomization.

NOTE: Turning the pressure up higher than needed to atomize the paint will cause premature tip wear and additional overspray.

Electronic Pressure Control Indicators

The following is a description of the indicators on the electronic pressure control.



Pressure Indicator

The pressure indicator shows the current operating pressure of the sprayer. It has three different indications: blinking yellow, solid yellow, and solid green.

Blinking Yellow

When the pressure indicator is blinking yellow, the sprayer is operating between 0 and 200 PSI. A blinking yellow pressure indicator means:

- The sprayer is plugged in and turned “ON”
- The sprayer is at priming pressure (little or no pressure)
- It is safe to move the PRIME/SPRAY valve between positions
- It is safe to change or replace the spray tip

NOTE: If the pressure indicator begins blinking yellow when the pressure control knob is set at a higher pressure and the PRIME/SPRAY valve is in the SPRAY position, either the spray tip is worn or the sprayer is in need of service/repair.

Solid Yellow

When the pressure indicator is solid yellow, the sprayer is operating between 200 and 1800 PSI. A solid yellow pressure indicator means:

- The sprayer is at the proper pressure setting for spraying stain, lacquer, varnish, and multi-colors
- If the pressure indicator goes to solid yellow when the pressure is set so that it starts at solid green, it indicates one of the following:
 - a. Tip Wear Indicator — when spraying with latex or at high pressure the solid yellow appears. This means the tip is worn and needs to be replaced.
 - b. Tip Too Large — when a tip that is too large for the sprayer is put in the gun, the pressure indicator will turn from solid green to solid yellow.
 - c. Fluid Section Wear — if a solid yellow pressure indicator appears when using a new tip and the pressure is set at maximum, service may be required (worn packings, worn piston, stuck valve, etc...).

Solid Green

When the pressure indicator is solid green, the sprayer is operating between 1800 and 3200 PSI. A solid green pressure indicator means:

- The sprayer is at the proper pressure setting for spraying oil-based and latex house paints
- The sprayer is operating at peak performance at a high pressure setting

Motor Running Indicator

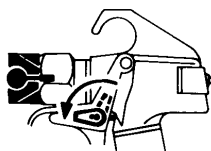
The Motor Running indicator is on when the motor is commanded to run. This indicator is used by service centers to troubleshoot motor problems.

Pressure Relief Procedure



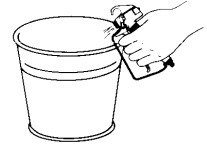
Be sure to follow the pressure relief procedure when shutting the unit down for any purpose, including servicing or adjusting any part of the spray system, changing or cleaning spray tips, or preparing for cleanup.

1. Lock the gun by turning the gun trigger lock to the locked position.
2. Turn the unit off by moving the ON/OFF switch to the OFF position.
3. Turn the pressure control knob counterclockwise to its OFF position in the black zone.
4. Unlock the gun by turning the gun trigger lock to the unlocked position.



Trigger lock in locked position.

5. Hold the metal part of the gun firmly to the side of a metal container to ground the gun and avoid a build up of static electricity.



6. Trigger the gun to remove any pressure that may still be in the hose.
7. Lock the gun by turning the gun trigger lock to the locked position.
8. Move the PRIME/SPRAY valve down to the PRIME position.

Spraying



POSSIBLE INJECTION HAZARD. Do not spray without the tip guard in place. Never trigger the gun unless the tip is in either the spray or the unclog position. Always engage the gun trigger lock before removing, replacing, or cleaning tip.

Spraying Technique

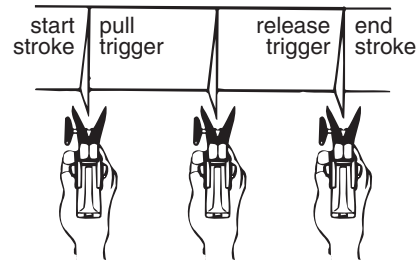
The following techniques, if followed, will assure professional painting results.

Hold the gun perpendicular to the surface and always at equal distance from the surface. Depending on the type of material, surface, or desired spray pattern, the gun should be held at a distance of 12 to 14 inches (30 to 35 cm).

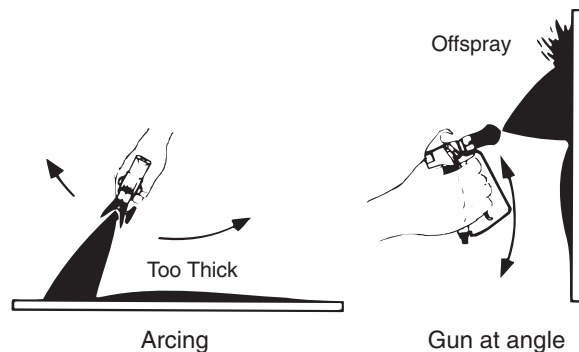
Move the gun either across or up and down the surface at a steady rate. Moving the gun at a consistent speed conserves material and provides even coverage. The correct spraying speed allows a full, wet coat of paint to be applied without runs or sags.

Holding the gun closer to the surface deposits more paint on the surface and produces a narrower spray pattern. Holding the gun farther from the surface produces a thinner coat and wider spray pattern. If runs, sags, or excessive paint occur, change to a spray tip with a smaller orifice. If there is an insufficient amount of paint on the surface or you desire to spray faster, a larger orifice tip should be selected.

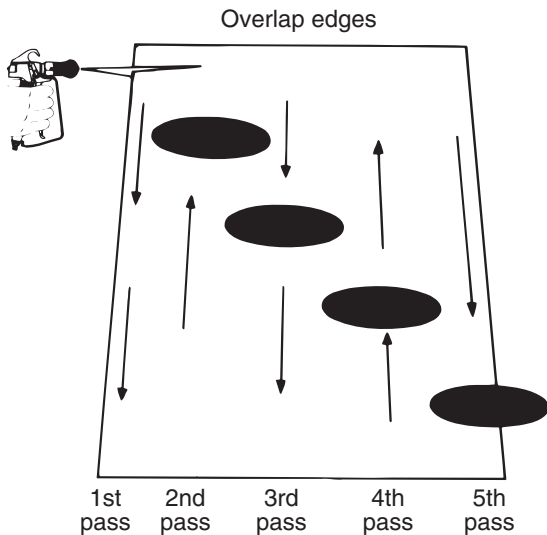
Maintain uniform spray stroke action. Spray alternately from left to right and right to left. Begin movement of the gun before the trigger is pulled.



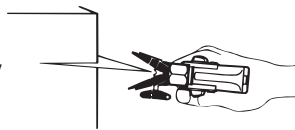
Avoid arcing or holding the gun at an angle. This will result in an uneven finish.



Proper lapping (overlap of spray pattern) is essential to an even finish. Lap each stroke. If you are spraying horizontally, aim at the bottom edge of the preceding stroke, so as to lap the previous pattern by 50%.



For corners and edges, split the center of the spray pattern on the corner or edge and spray vertically so that both adjoining sections receive approximately even amounts of paint.



When spraying with a shield, hold it firmly against the surface. Angle the spray gun slightly away from the shield and toward the surface. This will prevent paint from being forced underneath.

Shrubs next to houses should be tied back and covered with a canvas cloth. The cloth should be removed as soon as possible. Titan gun extensions are extremely helpful in these situations.

Nearby objects such as automobiles, outdoor furniture, etc. should be moved or covered whenever in the vicinity of a spray job. Be careful of any other surrounding objects that could be damaged by overspray.

Practice

1. Be sure that the paint hose is free of kinks and clear of objects with sharp cutting edges.
2. Turn the pressure control knob counterclockwise to its lowest setting.
3. Turn the PRIME/SPRAY valve up to its SPRAY position.
4. Turn the pressure control knob clockwise to its highest setting. The paint hose should stiffen as paint begins to flow through it.
5. Unlock the gun trigger lock.
6. Trigger the spray gun to bleed air out of the hose.
7. When paint reaches the spray tip, spray a test area to check the spray pattern.
8. Use the lowest pressure setting necessary to get a good spray pattern. If the pressure is set too high, the spray pattern will be too light. If the pressure is set too low, tailing will appear or the paint will spatter out in gobs rather than in a fine spray.



Cleanup



Special cleanup instructions for use with flammable solvents:

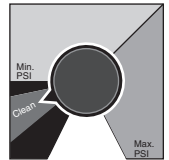
- Always flush spray gun preferably outside and at least one hose length from spray pump.
- If collecting flushed solvents in a one gallon metal container, place it into an empty five gallon container, then flush solvents.
- Area must be free of flammable vapors.
- Follow all cleanup instructions.

IMPORTANT: The sprayer, hose, and gun should be cleaned thoroughly after daily use. Failure to do so permits material to build up, seriously affecting the performance of the unit.



Always spray at minimum pressure with the gun nozzle tip removed when using mineral spirits or any other solvent to clean the sprayer, hose, or gun. Static electricity buildup may result in a fire or explosion in the presence of flammable vapors.

1. Follow the "Pressure Relief Procedure" found in the Operation section of this manual.
2. Remove the gun tip and tip guard and clean with a brush using the appropriate solvent.
3. Place the suction tube into a container of the appropriate solvent. Examples of the appropriate solvent are water for latex paint or mineral spirits for oil-based paints.
4. Place the return hose into a metal waste container.
5. Move the PRIME/SPRAY valve down to its PRIME position.
6. Set the pressure to Turbo PulseClean by turning the pressure control knob to its CLEAN position in the red zone.
7. Turn the unit on by moving the ON/OFF switch to the ON position.
8. Allow the solvent to circulate through the unit and flush the paint out of the return hose into the metal waste container.
9. Turn the unit off by moving the ON/OFF switch to the OFF position.
10. Move the PRIME/SPRAY valve up to its SPRAY position.
11. Turn the unit on.



Ground the gun by holding it against the edge of the metal container while flushing. Failure to do so may lead to a static electric discharge, which may cause a fire.



12. Trigger the gun into the metal waste container until the paint is flushed out of the hose and solvent is coming out of the gun.
13. Continue to trigger the spray gun into the waste container until the solvent coming out of the gun is clean.

NOTE: For long-term or cold weather storage, pump mineral spirits through the entire system. For short-term storage when using latex paint, pump water mixed with Titan Liquid Shield through the entire system (see the Accessories section of this manual for part number).

14. Follow the "Pressure Relief Procedure" found in the Operation section of this manual.
15. Unplug the unit and store in a clean, dry area.

IMPORTANT: Do not store the unit under pressure.

Maintenance



Before proceeding, follow the Pressure Relief Procedure outlined previously in this manual. Additionally, follow all other warnings to reduce the risk of an injection injury, injury from moving parts or electric shock. Always unplug the sprayer before servicing!

General Repair and Service Notes

The following tools are needed when repairing this sprayer:

| | |
|------------------------|------------------|
| Phillips Screwdriver | 3/8" Hex Wrench |
| Needle Nose Pliers | 5/16" Hex Wrench |
| Adjustable Wrench | 1/4" Hex Wrench |
| Rubber Mallet | 3/16" Hex Wrench |
| Flat-blade Screwdriver | 5/32" Hex Wrench |

1. Before repairing any part of the sprayer, read the instructions carefully, including all warnings.

IMPORTANT: Never pull on a wire to disconnect it. Pulling on a wire could loosen the connector from the wire.

2. Test your repair before regular operation of the sprayer to be sure that the problem is corrected. If the sprayer does not operate properly, review the repair procedure to determine if everything was done correctly. Refer to the Troubleshooting Charts to help identify other possible problems.
3. Make certain that the service area is well ventilated in case solvents are used during cleaning. Always wear protective eyewear while servicing. Additional protective equipment may be required depending on the type of cleaning solvent. Always contact the supplier of solvents for recommendations.
4. If you have any further questions concerning your TITAN Airless Sprayer, call TITAN:

| | |
|--|-----------------------|
| Customer Service (U.S.) | 1-800-526-5362 |
| Fax | 1-800-528-4826 |
| Customer Service (Canada) | 1-800-565-8665 |
| Fax | 1-905-856-8496 |
| Customer Service (International) | 1-201-405-7520 |
| Fax | 1-201-405-7449 |

Replacing the Motor

1. Unplug the unit.
2. Loosen and remove the four motor cover screws. Remove the motor cover.
3. Disconnect the black and red wires coming from the pump housing. Disconnect the black and red wires from the capacitors. Disconnect the black and red wires from the motor.
4. Remove the capacitors from their mounting clip.
5. Loosen and remove the four motor mounting screws.
6. Pull the motor out of the pump housing.

NOTE: If the motor will not dislodge from the pump housing:

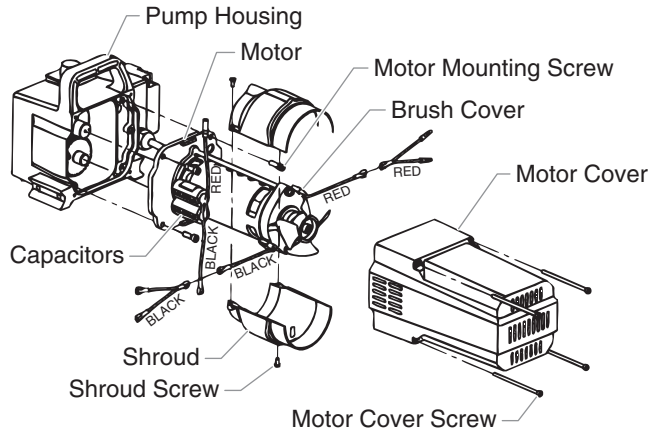
- Remove the front cover plate.
- Using a rubber mallet, carefully tap on the front of the motor crankshaft that extends through the connecting rod.

7. With the motor removed, inspect the gears in the pump housing for damage or excessive wear. Replace the gears, if necessary.
8. Install the new motor into the pump housing.

NOTE: Rotate the motor fan manually until the armature gear engages with the mating gear in the pump housing.

9. Secure the motor with the four motor mounting screws.

10. Push the capacitors into their clip on the new motor.
11. Reconnect the wires (refer to the electrical schematic in the Parts List section of this manual).
12. Slide the motor cover over the motor. Secure the motor cover with the four motor cover screws.



Replacing the Motor Brushes

Perform this procedure using Motor Brush Kit P/N 704-276.

1. Loosen and remove the four motor cover screws. Remove the motor cover.
2. Loosen and remove the two shroud screws. Remove the shroud.
3. Using a small screwdriver, pry off the two plastic brush covers.
4. Disconnect the black and red wires from the motor brushes. Remove the motor brushes.
5. Install the new motor brushes and snap on the plastic brush covers.
6. Reconnect the black and red wires from the motor brushes (refer to the electrical schematic in the Parts List section of this manual).
7. Position the shroud over the motor fan. Secure the shroud with the two shroud screws.
8. Slide the motor cover over the motor. Secure the motor cover with the four motor cover screws.

Replacing the Gears

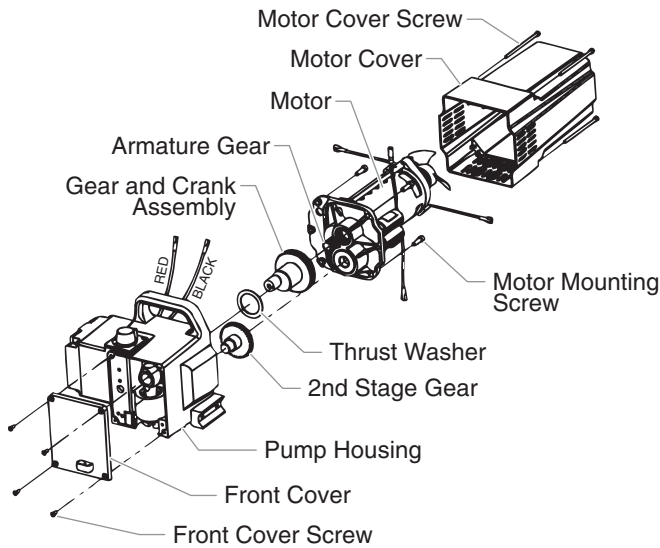
1. Loosen and remove the four motor cover screws. Remove the motor cover.
2. Disconnect the black and red wires coming from the pump housing.
3. Loosen and remove the four motor mounting screws.
4. Pull the motor out of the pump housing.

NOTE: If the motor will not dislodge from the pump housing:

- Remove the front cover plate.
- Using a rubber mallet, carefully tap on the front of the motor crankshaft that extends through the connecting rod.

5. Inspect the armature gear on the end of the motor for damage or excessive wear. If this gear is completely worn out, replace the entire motor.
6. Remove and inspect the 2nd stage gear for damage or excessive wear. Replace if necessary.
7. Remove and inspect the gear and crank assembly for damage or excessive wear. Replace if necessary.
8. Reassemble the pump by reversing the above steps. During reassembly, make sure the thrust washers is in place.

NOTE: Refill the gear box with five ounces of Lubriplate (P/N 314-171).



Replacing the Transducer

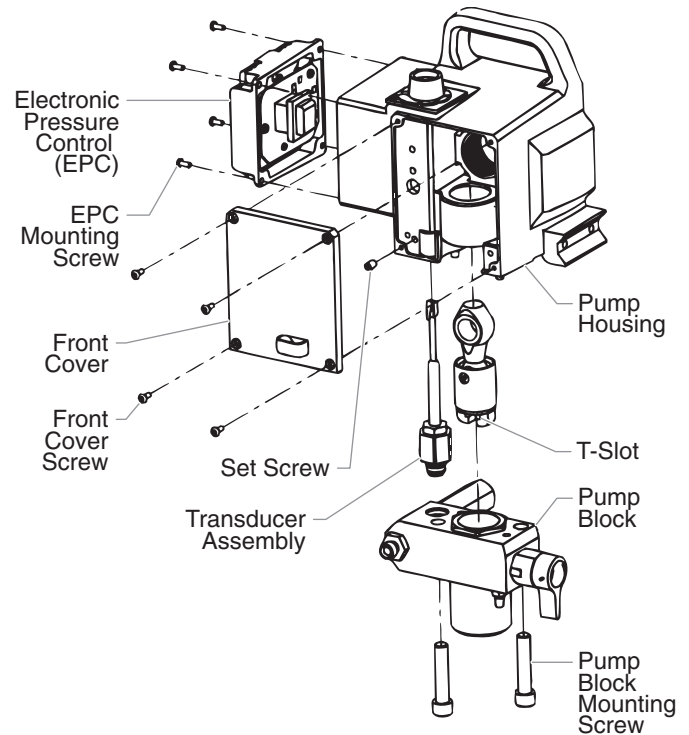
1. Loosen and remove the four front cover screws. Remove the front cover.
2. Stop the sprayer at the bottom of its stroke so that the piston is in its lowest position. Turn off and unplug the sprayer.



Before proceeding, follow the Pressure Relief Procedure outlined previously in this manual. Additionally, follow all other warnings to reduce the risk of an injection injury, injury from moving parts or electric shock. Always unplug the sprayer before servicing!

3. Tilt the pump back for easy access to the fluid section.
4. Using a 3/8" hex wrench, loosen and remove the two pump block mounting screws.
5. Pull the pump block down approximately 1/2" from the pump housing to clear the transducer.
6. Slide the pump block and piston rod forward until the piston rod is out of the T-slot on the connecting rod.
7. Loosen and remove the four electronic pressure control (EPC) mounting screws.
8. Pull back the EPC for access to the transducer plug-in.
9. Unplug the transducer connection from EPC board location "JP3" (refer to the electrical schematic in the Parts List section of this manual).
10. Using an 1/8" hex wrench, loosen and remove the set screw from the bottom of the pump housing.
11. Slide the transducer assembly out of the bottom of the pump housing.
12. Install the new transducer assembly into the pump housing.
13. Thread the set screw into the pump housing and tighten securely.
14. Plug the transducer connection into the EPC board at location "JP3" (refer to the electrical schematic in the Parts List section of this manual).
15. Reassemble the pump by reversing steps 1–8.

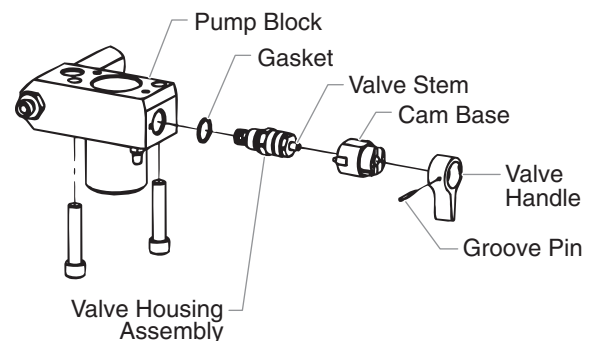
IMPORTANT: Make sure the transducer is aligned properly with the hole in the pump block during reassembly. Improper alignment may cause damage to the transducer gasket.



Replacing the PRIME/SPRAY Valve

Perform the following procedure using PRIME/SPRAY valve replacement kit P/N 700-258.

1. Push the groove pin out of the valve handle.
2. Remove the valve handle and the cam base.
3. Using a wrench, loosen and remove the valve housing assembly.
4. Make sure the gasket is in place and thread the new valve housing assembly into the pump block. Tighten securely with wrench.
5. Place the cam base over the valve housing assembly. Lubricate the cam base with grease and line up the cam with the pump block.
6. Line up the hole on the valve stem with the hole in the valve handle.
7. Insert the groove pin into the valve handle and through the valve stem to secure the valve handle in position.



Servicing the Fluid Section

Use the following procedures to service the valves and repack the fluid section. Perform the following steps before performing any maintenance on the fluid section.

1. Loosen and remove the four front cover screws. Remove the front cover.
2. Stop the sprayer at the bottom of its stroke so that the piston is in its lowest position. Turn off and unplug the sprayer.

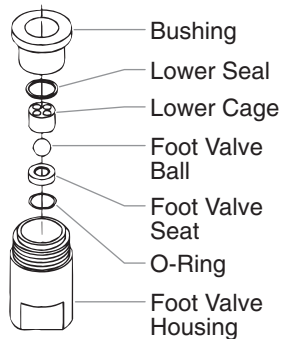


Before proceeding, follow the Pressure Relief Procedure outlined previously in this manual. Additionally, follow all other warnings to reduce the risk of an injection injury, injury from moving parts or electric shock. Always unplug the sprayer before servicing!

3. Unscrew the return hose assembly from the pump block.
4. Remove the retaining clip that holds the suction set in the foot valve. Pull the suction set out of the foot valve.
5. Tilt the pump back for easy access to the fluid section.

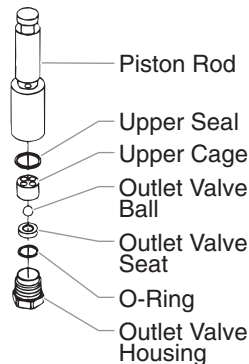
Servicing the Valves

The design of Titan's fluid section allows access to the foot valve and seat as well as the outlet valve and seat without completely disassembling the fluid section. It is possible that the valves may not seat properly because of debris stuck in the foot valve seat or outlet valve seat. Use the following instructions to clean the valves and reverse or replace the seats.



1. Using a wrench, loosen and remove the foot valve housing from the pump block.
2. Clean out any debris in the foot valve housing and examine the valve housing and seat. If the seat is damaged, reverse or replace the seat.
3. Using a 3/8" hex wrench, loosen and remove the outlet valve housing from the piston rod.

NOTE: Always service the outlet valve with the piston rod attached to the pump. This will prevent the piston rod from rotating during disassembly of the outlet valve.

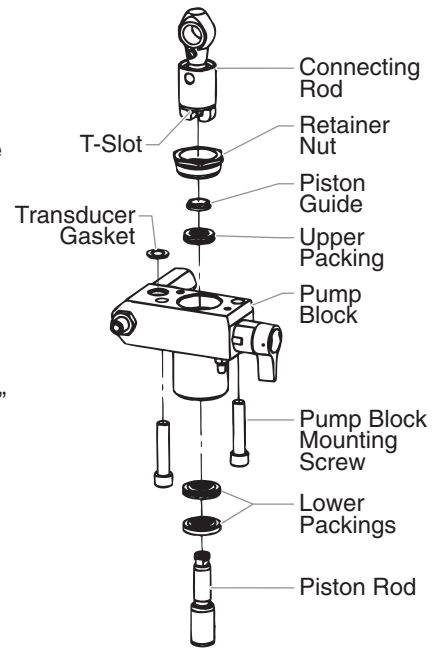


4. Clean out any debris and examine the valve housing and seat. If the seat is damaged, reverse or replace the seat.
5. Remove, clean, and inspect the upper cage and upper ball. Replace if they are worn or damaged.
6. Reassemble the valves by reversing the steps above.

Repacking the Fluid Section

NOTE: The factory-installed packings are black in color. The replacement packings in the packing replacement kit are white.

1. Remove the foot valve and outlet valve assemblies using the steps in the "Servicing the Valves" procedure above.
2. Using 3/8" a hex wrench, loosen and remove the two pump block mounting screws.
3. Pull the pump block down approximately 1/2" from the pump housing.
4. Slide the pump block and piston rod forward until the piston rod is out of the T-slot on the connecting rod.

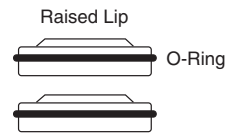


5. Slide the piston rod out through the bottom of the pump block.
6. Loosen and remove the retainer nut and piston guide from the pump block.
7. Remove the upper and lower packings from the pump block.
8. Clean the pump block and install the new upper and lower packings. Refer to the illustration below for proper packing orientation.

Install upper packing with raised lip and O-ring facing down.



Install lower packings with raised lip and O-ring facing up.



9. Inspect the piston rod for wear and replace if necessary.
10. Reassemble the outlet valve assembly into the piston rod. Tighten the outlet valve housing with a wrench until secure.

NOTE: Use the T-slot on the connecting rod to hold the piston rod in position while securing the outlet valve housing.

IMPORTANT: Never use a wrench on the piston itself. This could cause damage to the piston and cause leakage.

11. Insert the piston guide into the retainer nut. Thread the retainer nut into the pump block until it is hand tight.
12. Slide the piston guide tool (included in the repacking kit) over the top of the piston rod and insert the piston rod through the bottom of the pump block. Using a rubber mallet, tap the bottom of the piston rod lightly until the piston rod is in position in the pump block.

NOTE: Coat the piston guide tool and the piston rod with grease before inserting them into the pump block.

- Using a wrench, tighten the retainer nut securely.
- Slide the top of the piston rod into the T-slot on the connecting rod.
- Position the pump block underneath the pump housing and push up until it rests against the pump housing.

IMPORTANT: Make sure the transducer is aligned properly with the hole in the pump block during reassembly. Improper alignment may cause damage to the transducer gasket.

- Thread the pump block mounting screws through the pump block and into the pump housing. Tighten securely.
- Reassemble the foot valve assembly into the pump block.
- Insert the elbow on the suction set into the bottom of the foot valve. Position the retaining clip into the foot valve to secure the suction set assembly.
- Thread the return hose into the pump block and tighten securely.
- Place the front cover on the pump housing and secure in position using the four front cover screws.
- Turn on the sprayer by following the procedure in the "Operation" section of this manual and check for leaks.

NOTE: Repacking kit P/N 730-401 is available. For best results use all parts supplied in this kit.

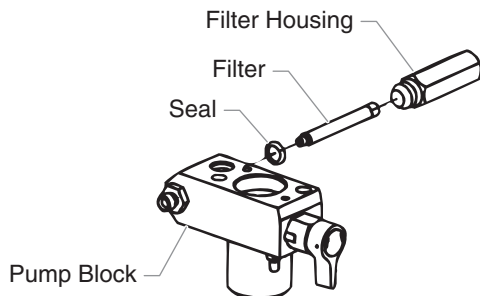
Replacing the Filters

Pump Filter

- Loosen and remove the filter housing.
- Turning clockwise, unscrew the filter from the pump block.

NOTE: Left-handed threads require turning the filter clockwise to remove. If the filter breaks off in the pump block, use a small wood screw to remove.

- Inspect the seal. Based on inspection, clean or replace the seal.
- Turning counterclockwise, thread the new or cleaned filter into the pump block.
- Slide the filter housing over the filter and thread it into the pump block until secure.

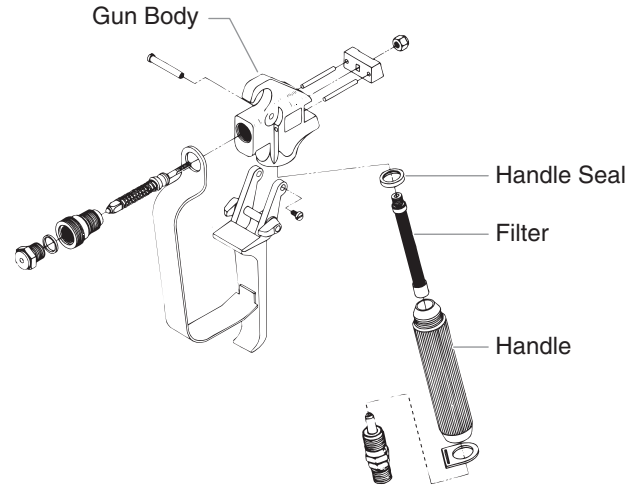


Gun Filter

- Move the gun trigger lock to the unlocked position.
- Loosen and remove the handle from the gun body.
- Turning clockwise, unscrew the filter from the gun body.

NOTE: Left-handed threads require turning the filter clockwise to remove.

- Turning counterclockwise, screw the new or cleaned filter into the gun body.
- Make sure the handle seal is in position and thread the handle into the gun body until secure.
- Move the gun trigger lock to the locked position.



NOTE: For more detail, part number information, and assembly drawings at larger scale, please see the LX-80 Professional Airless Gun Owner's Manual (P/N 313-012).

Troubleshooting

Airless Sprayer

Problem

Electric motor won't run

Cause

1. Unit unplugged or circuit fuse blown
2. Pressure setting too low
3. Brushes on motor are worn
4. Electric motor burned out
5. Switch defective
6. Circuit breaker on sprayer tripped

Solution

1. Check
2. Increase
3. Replace
4. Replace
5. Replace
6. Reset the breaker

Sprayer won't prime

1. Air in line
2. Insufficient pressure
3. Clutch worn or damaged (gas models)

1. Check siphon tube O-Ring and/or let paint circulate in prime position
2. Increase pressure
3. Replace

Insufficient material flow

1. No paint
2. Siphon strainer clogged
3. Sprayer/gun filter clogged
4. Sprayer will not prime, material too heavy
5. Engine not tuned properly (gas)
6. Worn clutch (gas models)

1. Check supply
2. Clean
3. Clean & replace
4. Thin material
5. Tune engine
6. Service

Sprayer will not maintain pressure

1. Air leak in system
2. Air leak in siphon tube
3. Inlet valve not seating
4. Worn packings
5. Dirty or worn ball valves
6. Worn valve seats
7. Worn prime valve

1. Tighten connections
2. Tighten, check for leaks
3. Service or clean
4. Replace
5. Clean or replace
6. Reverse
7. Replace

Not enough pressure

1. Pressure setting too low
2. Plugged filters
3. Spray tip too big or worn
4. Engine or motor rpm too low (gas)

1. Increase
2. Clean or replace
3. Change or replace
4. Increase throttle

Excessive surge at spray gun

1. Wrong type of hose
2. Spray tip too big or worn
3. Excessive pressure

1. Replace with a minimum 50' grounded nylon braid high pressure hose
2. Change or replace
3. Decrease pressure and engine speed

Paint leaks into oil cup

1. Worn out packings

1. Replace

Airless Gun

Problem

Spitting gun

Cause

1. Air in system
2. Dirty gun
3. Needle assembly out of adjustment
4. Broken or chipped seat

Solution

1. Inspect connections for air leaks
2. Disassemble and clean
3. Inspect and adjust
4. Inspect and replace

Gun will not shut off

1. Worn or broken needle & seat
2. Needle assembly out of adjustment
3. Dirty gun

1. Replace
2. Adjust
3. Clean

Gun does not spray

1. No paint
2. Plugged filter or tip
3. Broken needle in gun

1. Check fluid supply
2. Clean
3. Replace

Troubleshooting

Spray Patterns

Problem

Tails

Cause

1. Inadequate fluid delivery
2. Fluid not atomizing
3. Insufficient velocity
4. Material too cohesive
5. Tip worn past sprayer capacity

Solution

1. Increase pressure
2. Change to smaller tip
3. Clean gun and pump filters
4. Reduce viscosity
5. Replace

Heavy centered pattern

1. Worn tip
2. Tip may be chipped

1. Replace
2. Replace

Distorted pattern

1. Plugged, worn or chipped tip

1. Clean or replace

Pattern expanding and contracting (Surge)

1. Leak in suction tube
2. Not enough hose
3. Tip too large or worn

1. Tighten
2. Use a minimum of 50' (15m) of 1/4" high pressure hose
3. Replace with a new or smaller tip

Patents

These products are covered by one or more of the following U.S. patents:

4,500,119 4,768,929



Importantes consignes de sécurité • Lire toutes ces consignes avant d'utiliser l'appareil. Garder ces consignes.



Indique une situation à risque, laquelle, si elle n'est pas évitée, peut entraîner des blessures graves, voire la mort.



Pour réduire les risques d'incendie ou d'explosion, de choc électrique et de blessure, vous devez lire et comprendre les directives figurant dans ce manuel. Familiarisez-vous avec les commandes et l'utilisation adéquate de l'équipement.

DANGER : INJECTION CUTANÉE

Le jet de haute pression produit par cet appareil peut transpercer la peau et les tissus sous-jacents, causant des blessures graves pouvant entraîner l'amputation.



NE PAS TRAITER CE TYPE DE BLESSURE COMME UNE SIMPLE COUPURE! Une amputation peut en résulter. ON DOIT CONSULTER UN MÉDECIN SUR-LE-CHAMP.

La pression maximale de ce pulvérisateur est d'environ 3 200 PSI / 22,1 MPa.

MESURES PRÉVENTIVES :

- Ne pas pointer le pistolet vers une partie du corps.
- Ne pas pointer le pistolet vers une personne ou un animal; ne pas pulvériser non plus de produit dessus.
- NE JAMAIS mettre une partie du corps devant le jet de produit. NE JAMAIS toucher les fuites du flexible de pulvérisation.
- NE JAMAIS mettre la main, même gantée, devant le pistolet (les gants n'offrent aucune protection contre les blessures par injection).
- TOUJOURS verrouiller la détente, arrêter la pompe et relâcher toute la pression avant d'effectuer la maintenance de l'appareil ou de le laisser sans surveillance, d'en nettoyer le protège-embout ou l'embout, ou de remplacer ce dernier. La pression ne sera pas relâchée par le simple arrêt du moteur; pour ce faire, on doit se servir du bouton PRIME/SPRAY (se reporter à la section COMMENT LIBÉRER LA PRESSION, du présent manuel).
- TOUJOURS s'assurer que le protège-embout est en place avant de pulvériser. Il est cependant à noter que, s'il assure une certaine protection, ce dispositif joue surtout un rôle préventif.
- TOUJOURS retirer l'embout avant de vidanger ou de nettoyer l'appareil.
- TOUJOURS inspecter le flexible avant de commencer; celui-ci peut présenter des fuites attribuables à l'usure, à une flexion excessive ou à un traitement abusif, lesquelles fuites présentent des risques d'injection cutanée. Ne pas utiliser le flexible pour soulever ou tirer l'équipement.
- NE JAMAIS utiliser de pistolet sans verrou de détente et protège-doigts.
- Tous les accessoires (pistolets, embouts, rallonges, flexibles etc.) doivent pouvoir subir une pression nominale de 3 200 PSI / 22,1 MPa ou plus.
- Ne laissez pas l'appareil sous tension ou sous pression quand vous vous en éloignez. Quand vous n'utilisez pas l'appareil, éteignez-le et libérez la pression conformément aux instructions COMMENT LIBÉRER LA PRESSION, du présent manuel.
- Vérifiez que toutes les connexions sont bien serrées avant d'utiliser l'appareil. Toute pièce qui n'est pas fixée solidement risque d'être projetée violemment ou d'entraîner la fuite d'un jet de liquide à une pression extrêmement élevée, ce qui pourrait causer des blessures graves.
- Verrouillez toujours la détente quand vous ne pulvériser pas. Vérifiez que le verrou de la détente fonctionne correctement.

REMARQUE À L'INTENTION DES MÉDECINS :

Les injections cutanées sont des lésions traumatiques; il importe donc de les traiter sans délai. On NE DOIT PAS retarder ce traitement sous prétexte de vérifier la toxicité du produit en cause, celle-ci n'étant conséquente que dans le cas d'injection directe de certains produits dans le système sanguin. Il pourrait s'avérer nécessaire de consulter un plasticien ou un spécialiste en chirurgie reconstructive de la main.

DANGER : ÉMANATIONS DANGEREUSES

Certains produits (peintures, solvants, insecticides ou autres) peuvent être nocifs s'ils sont inhalés ou entrent en contact avec l'organisme. Les émanations de ces produits peuvent provoquer de graves nausées, évanouissements ou empoisonnements.



MESURES PRÉVENTIVES :

- Se servir d'un masque ou d'un respirateur s'il y a risque d'inhalation (lire toutes les directives concernant ces dispositifs afin de s'assurer qu'ils offrent la protection requise).
- Porter des lunettes de protection.
- Porter les vêtements de protection prescrits par le fabricant du produit utilisé.



DANGER : EXPLOSION OU INCENDIE

Les émanations de certains produits peuvent exploser ou s'enflammer, et risquent d'entraîner des dommages matériels ou de graves blessures.



MESURES PRÉVENTIVES :

- S'assurer que l'aire de travail est dotée de moyens d'évacuation d'air vicié et d'introduction d'air frais pour éviter l'accumulation de vapeurs inflammables. Les vapeurs dégagées par la peinture ou les solvants peuvent provoquer une explosion ou s'enflammer.
- Ne pas pulvériser de produit dans un endroit clos.
- Ne pas travailler près de sources d'ignition (décharges électrostatiques ou étincelles provoquées par le branchement/ débranchement d'appareils ou la commutation d'interrupteurs, d'appareils électriques, flammes nues, veilleuses, objets chauds, etc.). La peinture ou le solvant s'écoulant dans l'équipement peut générer de l'électricité statique.
- Ne pas fumer dans l'aire de travail.
- L'aire de travail doit être munie d'un extincteur en bon état de marche.
- Prévoir un espace d'au moins 7.62 mètres entre la pompe et l'objet à pulvériser s'ils sont dans la même pièce bien ventilée (rallonger le flexible au besoin). Les vapeurs inflammables étant souvent plus lourdes que l'air, l'espace au-dessus du plancher doit être particulièrement bien aéré. La pompe contient des pièces qui produisent des arcs et émettent des étincelles pouvant enflammer les vapeurs.
- Les appareils et objets à l'intérieur ou à proximité de l'aire de travail doivent être adéquatement mis à la terre pour éviter les décharges électrostatiques.
- Veillez à ce que la zone soit propre et exempte de contenants de peinture ou de solvant, chiffons ou autres matériaux inflammables.
- Les flexibles dont on se sert doivent être conçus pour subir les pressions élevées et faits de matériaux conducteurs ou mis à la terre adéquatement; le pistolet sera mis à la terre par le biais de ses raccords aux flexibles.
- Pour les appareils électriques — Le cordon d'alimentation doit être branché à un circuit trifilaire.
- L'appareil doit toujours être vidangé à basse pression, embout retiré, dans un contenant métallique distinct. Tenir le pistolet contre la paroi du contenant de manière à mettre ce dernier à la terre et à prévenir les décharges électrostatiques.
- Toujours respecter les mises en garde et les directives du fabricant des produits et solvants utilisés. On doit connaître les produits contenus dans les peintures et solvants qu'on pulvérise. Lire les fiches techniques santé-sécurité (FTSS) et les étiquettes des contenants fournies avec les peintures et solvants. Suivre les consignes de sécurité du fabricant de peinture et de solvant.
- S'entourer de toutes les précautions possibles lorsqu'on utilise des produits ayant un point d'éclair inférieur à 21°C (70°F). Le point d'éclair est la température à laquelle le liquide peut créer suffisamment de vapeurs et s'enflammer.
- Le plastique est générateur de décharges électrostatiques; ne jamais en suspendre pour fermer une aire de travail ou en utiliser en guise de toile de protection lorsqu'on pulvérise un produit inflammable.
- Se servir de la pression la plus basse possible pour vidanger l'appareil.
- Ne pas pulvériser de produit sur la pompe.





Importantes consignes de sécurité • Lire toutes ces consignes avant d'utiliser l'appareil. Garder ces consignes.

DANGER : EXPLOSION CAUSÉE PAR DES PRODUITS INCOMPATIBLES



Ce type d'explosion peut entraîner des dommages matériels ou des blessures graves.

MESURES PRÉVENTIVES :

- Ne pas utiliser de produits contenant du chlore ou du javellisant.
- Ne pas utiliser de solvants à base de halons comme l'eau de javel, les agents antimoississure, le chlorure de méthylène et le trichloroéthane-1-1-1, lesquels ne sont pas compatibles avec l'aluminium.
- Communiquer avec le fournisseur du produit concerné pour en connaître la compatibilité avec l'aluminium.

DANGER : GÉNÉRALITÉS

D'autres dangers peuvent entraîner des dommages matériels ou des blessures graves.

- Lire toutes les directives et consignes de sécurité avant d'utiliser l'appareil.
- Observer tous les codes locaux, provinciaux, d'état et nationaux régissant la ventilation, la prévention des incendies et le fonctionnement de l'appareil.
- Aux États-Unis, le gouvernement a adopté des normes de sécurité en vertu de l'Occupational Safety and Health Act (OSHA). Le cas échéant, on doit les consulter, notamment les parties 1910 des normes générales et 1926 des normes de construction.
- N'utiliser que les pièces autorisées par le fabricant; les utilisateurs qui choisiront d'utiliser des composants dont les caractéristiques techniques et les exigences en matière de sécurité sont inférieures devront en assumer tous les risques et responsabilités.
- Tous les raccords, les tuyaux et les bouchons de remplissage doivent être fixés solidement en place avant d'utiliser la pompe de pulvérisation. Toute pièce qui n'est pas fixée solidement risque d'être projetée violemment ou d'entraîner la fuite d'un jet de liquide à une pression extrêmement élevée, ce qui pourrait causer des blessures graves.
- Avant chaque utilisation, examiner tous les flexibles afin de confirmer l'absence de coupures, de fuites, d'abrasions ou de renflements. Vérifier également l'intégrité des raccords. Remplacer sans délai les pièces qui semblent présenter des défauts. Ne jamais tenter de réparer un flexible; remplacer ceux qui font défaut par des modèles haute pression, avec mise à la terre.
- Ne faites pas de noeud avec le tuyau et ne le tordez pas trop. Le tuyau à vide peut présenter des fuites suite à l'usure, les nouer ou les mauvais traitements. Une fuite risque d'injecter du produit dans la peau.
- N'exposez pas le tuyau à des températures ou des pressions supérieures à celles spécifiées par le fabricant.
- Ne pas pulvériser à l'extérieur par grands vents.
- Porter des vêtements aptes à protéger la peau et les cheveux du produit utilisé.
- Ne pas utiliser le pistolet ou ne pas pulvériser de produits en présence d'enfants à proximité. Éloigner les enfants de l'équipement en tout temps.
- Ne pas s'étirer ni ne travailler sur un support instable. Toujours garder les deux pieds au sol pour rester en équilibre.
- Se servir de la pression la plus basse possible pour vidanger l'appareil.
- Rester vigilant et faire attention à ce que l'on fait.
- Ne pas se servir de l'équipement en cas de fatigue ou si vos aptitudes sont affaiblies par la consommation de drogues ou de boissons alcoolisées.
- Pour les appareils électriques — Débranchez toujours le cordon électrique de la prise avant de travailler sur l'équipement.
- N'utilisez pas le tuyau pour tirer ou soulever l'équipement.
- Ne pas soulever par la poignée de chariot en chargeant ou en déchargeant.

Instructions de mise à la terre

Cet appareil doit être mis à la terre. La mise à la terre réduit les risques d'électrocution lors d'un court-circuit en permettant au courant de s'écouler par le fil de mise à la terre. Cet appareil est muni d'un cordon électrique avec fil de mise à la terre ainsi que d'une fiche de terre. La fiche doit être branchée sur une prise installée correctement et mise à la terre conformément à la réglementation et aux codes en vigueur.

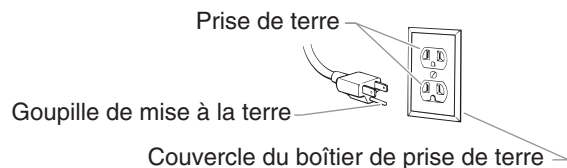


Le fait de ne pas brancher correctement la fiche trifilaire de l'appareil peut entraîner des risques de choc électrique.



Si on doit réparer ou remplacer le cordon ou la fiche, ne pas raccorder le fil de terre à la borne des broches plates (lames) de cette dernière. Ce fil, normalement vert (avec ou sans rayures jaunes), doit être relié à la broche de terre.

Consulter un technicien ou un électricien qualifié à défaut de comprendre l'ensemble des présentes directives ou en cas d'incertitude quant à la mise à terre de l'appareil. Ne pas modifier la fiche de l'appareil; si elle ne s'adapte pas dans la prise voulue, faire remplacer cette dernière par un électricien qualifié.



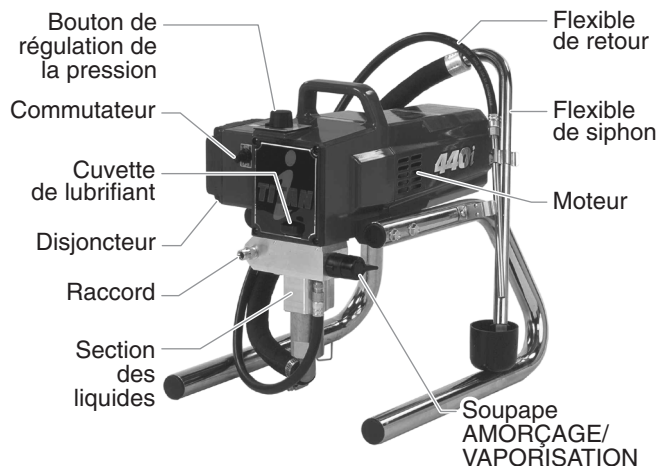
IMPORTANT : Utiliser uniquement une rallonge à trois fils munie d'une fiche de terre dans une prise secteur mise à la terre correspondant au type de fiche de l'appareil. S'assurer que votre rallonge est en bon état. Lorsque vous utilisez une rallonge, assurez-vous qu'elle soit d'un calibre suffisant pour supporter l'intensité du courant requise par l'appareil. Une rallonge trop mince entraîne une chute de tension, une diminution de l'intensité et une surchauffe. Une rallonge de calibre 12 est recommandée. Si vous devez utiliser une rallonge à l'extérieur, celle-ci doit comprendre la marque W-A après la désignation indiquant le type de cordon. Par exemple, la désignation SJTW-A indique que le cordon est conçu pour être utilisé à l'extérieur.

Table des matières

| | |
|---|----|
| Consignes de sécurité..... | 14 |
| Description générale..... | 16 |
| Fonctionnement..... | 16 |
| Vérifications préliminaires..... | 16 |
| Préparation avant de peindre..... | 17 |
| Peinture..... | 17 |
| Indicateurs de pression..... | 18 |
| Procédure de décompression..... | 18 |
| Vaporisation..... | 18 |
| Technique de vaporisation..... | 18 |
| Essais préliminaires..... | 19 |
| Nettoyage..... | 19 |
| Maintenance..... | 20 |
| Généralités concernant la maintenance..... | 20 |
| Remplacement des filtres..... | 20 |
| Remplacement du moteur..... | 21 |
| Remplacement des balais de moteur..... | 21 |
| Remplacement des engrenages..... | 21 |
| Remplacement du transducteur..... | 21 |
| Remplacement de la soupape AMORÇAGE/VAPORISATION..... | 22 |
| Maintenance de la section des liquides..... | 22 |
| Dépannage..... | 23 |
| Listes de pièces..... | 38 |
| Vue d'ensemble..... | 38 |
| Moteur..... | 39 |
| Boîte d'engrenages..... | 40 |
| Section des liquides..... | 42 |
| Support..... | 44 |
| Bloc d'aspiration..... | 44 |
| Schéma de raccordement électrique..... | 45 |
| Accessoires..... | 46 |
| Garantie..... | 48 |

Description générale

Ce vaporisateur à dépression est un outil électrique de précision servant à atomiser divers types de matériaux. On doit lire et suivre attentivement les directives apparaissant dans ce manuel pour savoir comment l'utiliser et le maintenir en bon ordre, et ce, en toute sécurité.



Fonctionnement



Cet appareil produit un jet à très haute pression; avant de le faire fonctionner, il est donc essentiel de lire et de comprendre les avertissements formulés dans la section Consignes de sécurité à l'avant de ce manuel.

Vérifications préliminaires

On doit procéder aux étapes suivantes avant de brancher le cordon d'alimentation de l'appareil.

1. S'assurer que le flexible et le bloc d'aspiration soient solidement fixés.
2. Fixer un flexible de vaporisation à tresse de Nylon, conçu pour les appareils à dépression, et mesurant au moins 15 mètres (50 pi).
3. Fixer un pistolet à dépression au flexible de vaporisation; ne pas fixer l'embout au pistolet tout de suite (le retirer s'il est déjà fixé).



S'assurer que tous les flexibles et pistolets à dépression soit mis à la terre et conçus pour accepter des pressions de liquide d'au moins 3 200 lb/po2 (22,1 MPa).

4. S'assurer que le bouton de régulation de pression soit à la position OFF (zone noire).
5. S'assurer que le commutateur soit à la position OFF.
6. Verser 15 ml (une cuillère à table) de lubrifiant pour joint de piston (Piston Lube) dans la cuvette.

IMPORTANT : Ne jamais faire fonctionner l'appareil sans liquide pendant plus de 10 secondes, ce qui pourrait user inutilement les tampons graisseurs.

7. S'assurer que l'alimentation électrique soit d'au moins 15 A à 120 V.
8. Brancher le cordon d'alimentation dans une prise adéquatement mise à la terre située à une distance d'au moins 7,5 m (25 pi) de la surface à vaporiser.

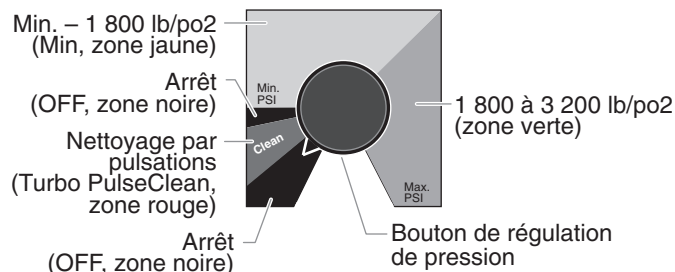
IMPORTANT : Les rallonges utilisées doivent être trifilaires, de calibre 12 et dotées d'une fiche à broche de MALT; on ne doit jamais retirer cette troisième broche ou utiliser un adaptateur.

Préparation d'un nouveau vaporisateur

Si cet appareil est neuf, il contient encore un liquide d'essai mis en usine pour le protéger de la corrosion en cours d'expédition ou d'entreposage. Ce liquide doit être complètement éliminé au moyen d'essence minérale avant que l'appareil puisse être utilisé.

IMPORTANT : La détente du pistolet doit toujours être verrouillée lorsqu'on procède à ces vérifications préliminaires.

1. Mettre le flexible d'aspiration dans un contenant d'essence minérale.
2. Mettre le flexible de retour dans un contenant de purge métallique.
3. Régler la pression au minimum en mettant le bouton de régulation à la position Min (zone jaune).



4. Abaisser la soupape AMORÇAGE/VAPORISATION à la position PRIME.
5. Mettre l'appareil en marche en mettant le commutateur à la position ON.
6. Laisser le vaporisateur fonctionner pendant 15 à 30 secondes pour évacuer le liquide d'essai par le flexible de retour, jusqu'au contenant de purge.
7. Arrêter l'appareil en mettant le commutateur à la position OFF.

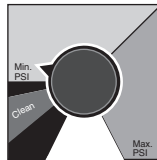
Préparation avant de peindre

Avant de peindre, il est important de s'assurer que le liquide dans l'appareil est compatible avec le produit à utiliser.

NOTA: L'incompatibilité liquide/produit peut provoquer le blocage des soupapes, ce qui entraînerait le besoin de démonter et de nettoyer la section des liquides du vaporisateur.

IMPORTANT : La détente du pistolet doit toujours être verrouillée lorsqu'on procède à ces vérifications préliminaires.

1. Mettre le flexible d'aspiration dans un contenant de solvant approprié (de l'eau dans le cas de peintures au latex, de l'essence minérale dans le cas de peintures à l'huile, etc.).
2. Mettre le flexible de retour dans un contenant de purge métallique.
3. Régler la pression au minimum en mettant le bouton de régulation à la position Min (zone jaune).
4. Abaisser la soupape AMORÇAGE/VAPORISATION à la position PRIME.
5. Mettre l'appareil en marche en mettant le commutateur à la position ON.
6. Laisser le vaporisateur fonctionner pendant 15 à 30 secondes pour évacuer le solvant usé par le flexible de retour, jusqu'au contenant de purge.
7. Arrêter l'appareil en mettant le commutateur à la position OFF.

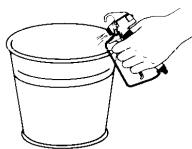


NOTA: S'assurer que l'embout ou le protège-embout ne soient pas installés.

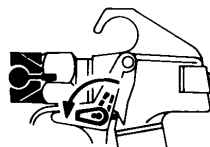
8. Soulever la soupape AMORÇAGE/VAPORISATION à la position SPRAY.
9. Mettre l'appareil en marche.
10. Déverrouiller le pistolet en mettant le verrou de détente à la position appropriée.



On doit mettre le pistolet à la terre en le tenant contre le bord du contenant de purge métallique pendant qu'il se vide afin d'éviter les risques de décharges électrostatiques, lesquelles peuvent provoquer un incendie.



11. Appuyer sur la détente en visant le contenant métallique pour purger le solvant usé du pistolet, jusqu'à ce que du solvant frais en ressorte.
12. Verrouiller le pistolet en mettant le verrou de détente à la position appropriée.
13. Déposer le pistolet et augmenter la pression en tournant lentement le bouton de régulation vers la droite, jusqu'à la zone verte.
14. Inspecter tous les composants afin d'y détecter des fuites potentielles. Le cas échéant, suivre les directives de la section Procédure de décompression du présent manuel avant de fixer les flexibles et de serrer les raccords.
15. Procéder aux étapes de la section Procédure de décompression du présent manuel avant de passer du solvant au produit de peinture.



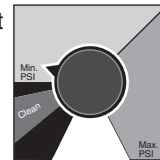
Détente verrouillée.



On doit effectuer la procédure de décompression chaque fois qu'on arrête l'appareil pour en faire la maintenance, en changer les réglages de vaporisation, en remplacer/ nettoyer les embouts ou en effectuer la préparation en vue d'un nettoyage.

Peinture

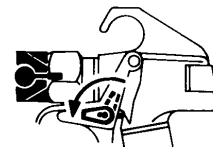
1. Mettre le flexible d'aspiration dans un contenant de produit de peinture.
2. Mettre le flexible de retour dans un contenant de purge métallique.
3. Régler la pression au minimum en mettant le bouton de régulation à la position Min (zone jaune).
4. Abaisser la soupape AMORÇAGE/VAPORISATION à la position PRIME.
5. Mettre l'appareil en marche en mettant le commutateur à la position ON.
6. Laisser le vaporisateur fonctionner jusqu'à ce que le produit commence à s'écouler par le flexible de retour dans le contenant de purge.
7. Arrêter l'appareil en mettant le commutateur à la position OFF.
8. Retirer le flexible de retour du contenant de purge et le mettre à sa position normale, au-dessus du contenant de produit de peinture.
9. Soulever la soupape AMORÇAGE/VAPORISATION à la position SPRAY.
10. Mettre l'appareil en marche.
11. Déverrouiller le pistolet en mettant le verrou de détente à la position appropriée.



On doit mettre le pistolet à la terre en le tenant contre le bord du contenant de purge métallique pendant qu'il se vide afin d'éviter les risques de décharges électrostatiques, lesquelles peuvent provoquer un incendie.



12. Appuyer sur la détente en visant le contenant métallique pour purger le solvant et l'air du flexible de vaporisation, jusqu'à ce que le produit de peinture s'écoule librement du pistolet.
13. Verrouiller le pistolet en mettant le verrou de détente à la position appropriée.
14. Arrêter l'appareil.
15. Fixer l'embout et le protège-embout au pistolet, conformément aux directives accompagnant ces derniers.



Détente verrouillée.



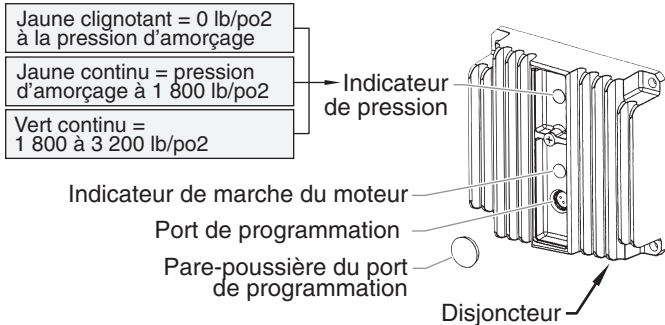
RISQUES D'INJECTION. Ne pas vaporiser sans avoir installé le protège-embout. Ne jamais appuyer sur la détente sans avoir mis l'embout en position de vaporisation ou de désobstruction. Toujours enclencher le verrou de détente avant de retirer, de remplacer ou de nettoyer l'embout.

16. Mettre l'appareil en marche.
17. Augmenter la pression en tournant lentement le bouton de régulation vers la droite, jusqu'à la zone verte, puis effectuer un essai sur un morceau de carton en examinant le jet résultant. Régler la pression de manière à ce que le produit soit parfaitement atomisé.

NOTA: Si la pression est trop élevée, l'embout subira une usure prématurée et produira des éclaboussures de surpulvérisation.

Indicateurs de pression

Voici une description des indicateurs du régulateur de pression électronique (RPE).

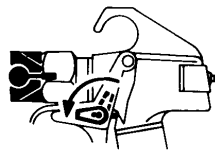


Procédure de décompression



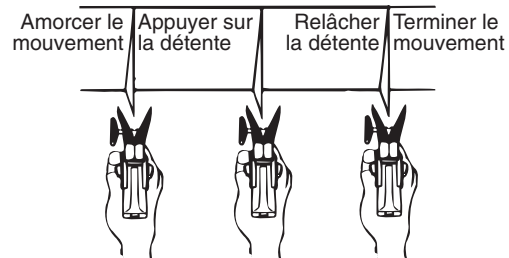
On doit effectuer la procédure de décompression chaque fois qu'on arrête l'appareil pour en faire la maintenance, en changer les réglages de vaporisation, en remplacer/ nettoyer les embouts ou en effectuer la préparation en vue d'un nettoyage.

1. Verrouiller le pistolet en mettant le verrou de détente à la position appropriée.
2. Arrêter l'appareil en mettant le commutateur à la position OFF.
3. Tourner le bouton de régulation de la pression vers la gauche, jusqu'à la position OFF, dans la zone noire.
4. Déverrouiller le pistolet en mettant le verrou de détente à la position appropriée.
5. Tenir fermement la partie métallique du pistolet contre le bord d'un contenant métallique afin d'éviter une accumulation d'électricité statique.
6. Appuyer sur la détente du pistolet afin de purger tout l'air restant dans le flexible.
7. Verrouiller le pistolet en mettant le verrou de détente à la position appropriée.
8. Abaisser la soupape AMORÇAGE/VAPORISATION à la position PRIME.

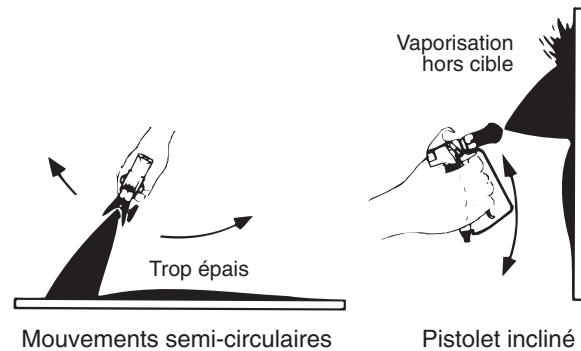


répartie sur une plus grande largeur. En présence de gouttes, de coulées ou de surpulvérisation, on doit opter pour un embout doté d'un plus petit orifice; s'il n'y a pas assez de produit sur la surface, ou si on désire procéder plus rapidement, il est préférable de choisir un embout à orifice plus grand.

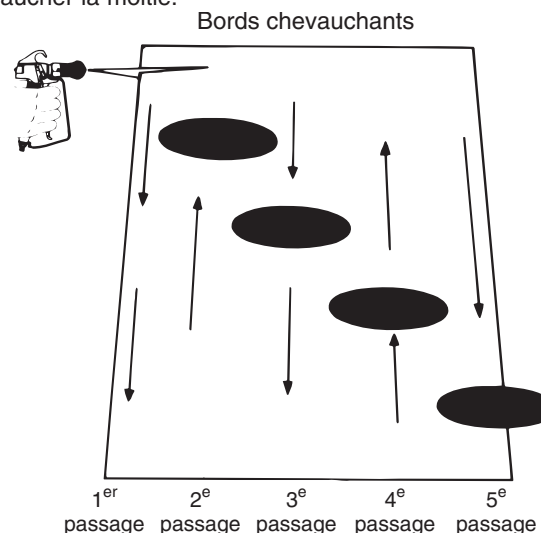
On doit procéder par gestes réguliers et uniformes, en inversant les mouvements à chaque passage (de haut en bas, puis de bas en haut, ou de gauche à droite, puis de droite à gauche). Amorcer le mouvement avant d'appuyer sur la détente.



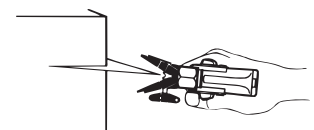
Il faut éviter de procéder par gestes semi-circulaires ou d'incliner le pistolet par rapport à la surface, ce qui produirait un fini inégal.



Il est essentiel de faire chevaucher chacun des passages pour obtenir un fini uniforme. Si, par exemple, on procède horizontalement, il faut commencer par le haut, puis viser le bord inférieur du passage précédent de manière à en chevaucher la moitié.



Lorsqu'on utilise un écran protecteur, celui-ci doit être fermement maintenu contre la surface. Le pistolet doit être légèrement incliné de manière à éloigner le jet de l'écran, ce qui évitera de faire pénétrer le produit de peinture sous ce dernier.



Vaporisation



RISQUES D'INJECTION. Ne pas vaporiser sans avoir installé le protège-embout. Ne jamais appuyer sur la détente sans avoir mis l'embout en position de vaporisation ou de désobstruction. Toujours enclencher le verrou de détente avant de retirer, de remplacer ou de nettoyer l'embout.

Technique de vaporisation

En suivant les techniques suivantes, on s'assure d'obtenir des résultats d'allure professionnelle.

Tenir le pistolet perpendiculairement par rapport à la surface, toujours à la même distance de cette dernière (selon le produit utilisé, la surface en présence et la forme de jet désirée, cette distance devrait se situer entre 30 et 35 cm [12 et 14 po]).

Procéder verticalement ou horizontalement à un rythme régulier, ce qui aura pour effet de minimiser le gaspillage de produit et d'assurer une couverture égale. Le rythme idéal permet d'appliquer une couche chargée sur toute la surface, sans gouttes ni coulées.

En tenant le pistolet plus près de la surface, on y applique davantage de produit, mais sur une bande plus étroite, tandis qu'en l'éloignant, on obtient une couche moins épaisse,

On doit également protéger les arbustes près des bâtiments en les attachant et en les couvrant d'une toile. Cette toile doit cependant être retirée dans les plus brefs délais. Les rallonges de pistolet Titan peuvent, elles aussi, s'avérer fort utiles dans de telles situations.

Les objets comme les voitures, l'ameublement de jardin, etc. doivent être éloignés ou recouverts lorsqu'ils sont à proximité de la surface à vaporiser. Il faut toujours s'assurer de protéger les éléments susceptibles d'être endommagés par des éclaboussures.

Essais préliminaires

1. S'assurer que le flexible à produit de peinture soit exempt de coudes et éloigné de toute arête coupante.
2. Tourner le bouton de régulation de pression à son réglage le plus bas.
3. Soulever la soupape AMORÇAGE/VAPORISATION à la position SPRAY.
4. Tourner le bouton de régulation de pression à son réglage le plus élevé; le flexible à produit devrait se raidir sous l'effet de la pression.
5. Déverrouiller la détente du pistolet.
6. Appuyer sur la détente pour évacuer l'air du flexible.
7. Quand la peinture atteint l'embout, effectuer un essai de vaporisation en vue de régler le jet en fonction du travail à effectuer.
8. Régler la pression au niveau le plus bas qui permette d'obtenir le jet désiré. Si la pression est trop élevée, le jet sera trop dispersé; si elle est trop basse, le jet produira des traînées ou crachera des grumeaux de produit.



Nettoyage



Directives particulières pour le nettoyage au moyen de solvants inflammables :

- Purger le pistolet à l'extérieur de préférence, à une distance d'au moins une longueur de flexible de la pompe.
- Si le solvant usé est recueilli dans un contenant métallique de 4 litres (1 gallon), celui-ci doit être inséré dans un second contenant d'au moins 20 litres (5 gallons).
- L'endroit choisi doit être exempt de vapeurs inflammables.
- On doit suivre les directives de nettoyage à la lettre.

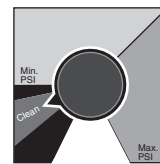
IMPORTANT : Le vaporisateur, le flexible et le pistolet doivent être nettoyés en profondeur après chaque journée d'utilisation et ce, afin d'éviter les accumulations de produit susceptibles de nuire grandement au rendement de l'appareil.



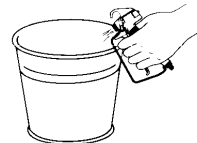
Lorsqu'on se sert d'essence minérale ou d'autres solvants pour nettoyer le vaporisateur, le flexible ou le pistolet, on doit régler la pression au minimum et retirer l'embout de la buse du pistolet. L'accumulation d'électricité statique risque de provoquer des incendies en présence de vapeurs inflammables.

1. Suivre la Procédure de décompression à la section Fonctionnement du présent manuel.
2. Retirer l'embout et le protège-embout, et les nettoyer au moyen d'une brosse et du solvant approprié.
3. Mettre le flexible d'aspiration dans un contenant de solvant approprié (de l'eau dans le cas de peintures au latex, de l'essence minérale dans le cas de peintures à l'huile, etc.).
4. Mettre le flexible de retour dans un contenant de purge métallique.

5. Abaisser la soupape AMORÇAGE/VAPORISATION à la position PRIME.
6. Régler la pression pour le nettoyage par pulsations en mettant le bouton de régulation à la position CLEAN (zone rouge).
7. Mettre l'appareil en marche en mettant le commutateur à la position ON.
8. Laisser le solvant circuler dans l'appareil pour évacuer le produit de peinture par le flexible de retour, jusqu'au contenant de purge.
9. Arrêter l'appareil en mettant le commutateur à la position OFF.
10. Soulever la soupape AMORÇAGE/VAPORISATION à la position SPRAY.
11. Mettre l'appareil en marche.



On doit mettre le pistolet à la terre en le tenant contre le bord du contenant de purge métallique pendant qu'il se vide afin d'éviter les risques de décharges électrostatiques, lesquelles peuvent provoquer un incendie.



12. Appuyer sur la détente en visant le contenant métallique pour purger le produit du flexible, jusqu'à ce que le solvant s'écoule du pistolet.
13. Continuer d'appuyer sur la détente, en direction du contenant métallique, jusqu'à ce que le solvant évacué soit propre.

NOTA: Pour l'entreposage à long terme en milieu froid, remplir tous les composants de l'appareil d'essence minérale.

Dans le cas de rangement à court terme après utilisation de peinture au latex, remplir tous les composants d'eau mélangée au protecteur Titan Liquid Shield (se reporter à la section Accessoires du présent manuel pour obtenir le numéro de pièce de ce produit).

14. Suivre la Procédure de décompression à la section Fonctionnement du présent manuel.
15. Débrancher l'appareil et le ranger dans un endroit propre et sec.

IMPORTANT : Ne pas ranger l'appareil sous pression.

Maintenance



Avant de procéder, on doit suivre les directives de la section Procédure de décompression du présent manuel. On doit également respecter tous les autres avertissements si on veut éviter les blessures par injection, par contact avec une pièce mobile ou par choc électrique. Le vaporisateur doit toujours être débranché avant d'être entretenu ou réparé.

Généralités concernant la maintenance

Pour réparer ou entretenir le vaporisateur, on pourrait avoir à recourir aux outils suivants :

| | |
|--------------------------|------------------------------------|
| Tournevis étoile | Clé hexagonale de 1,0 cm (3/8 po) |
| Pince à bec pointu | Clé hexagonale de 0,8 cm (5/16 po) |
| Clé à ouverture variable | Clé hexagonale de 0,6 cm (1/4 po) |
| Maillet en caoutchouc | Clé hexagonale de 0,5 cm (3/16 po) |
| Tournevis plat | Clé hexagonale de 0,4 cm (5/32 po) |

1. Avant de procéder à la maintenance de n'importe quel composant du vaporisateur, il faut lire attentivement les directives ainsi que tous les avertissements qu'elles contiennent.

IMPORTANT : Ne jamais tirer sur le cordon pour le débrancher, ce qui pourrait détacher le connecteur des fils.

2. Vérifier les résultats de la maintenance effectuée avant d'utiliser le vaporisateur en conditions normales afin de s'assurer que le problème ait bel et bien été corrigé. Si le vaporisateur ne fonctionne toujours pas comme il faut, repasser la procédure pour s'assurer qu'elle ait été bien suivie. Se reporter ensuite à la section Dépannage pour cerner la source potentielle du problème.
3. S'assurer que l'endroit choisi soit bien ventilé si des solvants sont utilisés pour le nettoyage. Toujours porter des lunettes de protection lorsqu'on procède à la maintenance. D'autres dispositifs protecteurs pourraient être requis selon le type de solvant utilisé; on doit toujours communiquer avec le fabricant de ce dernier pour obtenir ses recommandations à cet effet.
4. Pour toute autre question relative à ce vaporisateur à dépression, il suffit de communiquer avec Titan :

Service à la clientèle (É.-U.).....1-800-526-5362

Télécopieur.....1-800-528-4826

Service à la clientèle (Canada)1-800-565-8665

Télécopieur.....1-905-856-8496

Service à la clientèle (international)1-201-405-7520

Télécopieur1-201-405-7449

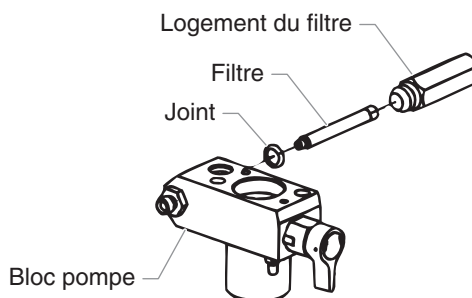
Remplacement des filtres

Filtere de pompe

1. Dégager et retirer le logement du filtre.
2. En tournant vers la droite, dévisser le filtre du bloc pompe.

NOTA: Le filetage à gauche requiert qu'on tourne vers la droite pour dévisser. Si le filtre se brise dans le bloc pompe, se servir d'une petite vis à bois pour le retirer.

3. Inspecter le joint; le nettoyer ou le remplacer au besoin.
4. En tournant vers la gauche, visser le filtre nettoyé ou de rechange sur le bloc pompe.
5. Glisser le logement sur le filtre et le visser solidement sur le bloc pompe.

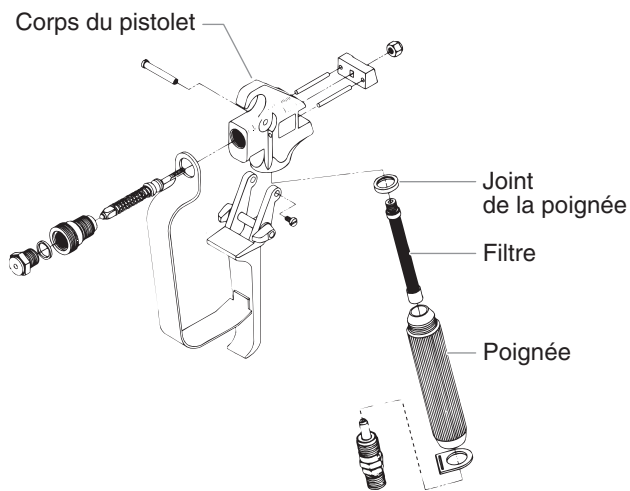


Filtere de pistolet

1. Déverrouiller la détente du pistolet.
2. Dégager et retirer la poignée du corps du pistolet.
3. En tournant vers la droite, dévisser le filtre du corps.

NOTA: Le filetage à gauche requiert qu'on tourne vers la droite pour dévisser.

4. En tournant vers la gauche, visser le filtre nettoyé ou de rechange sur le corps.
5. S'assurer que le joint de la poignée soit bien placé et visser solidement cette dernière sur le corps.
6. Verrouiller la détente du pistolet.



NOTA: Pour obtenir plus de détails, se renseigner sur les numéros de pièce ou voir des dessins d'assemblage à plus grande échelle, se reporter au manuel de l'utilisateur du pistolet à dépression professionnel LX -80 (no 313-012).

Remplacement du moteur

1. Débrancher l'appareil.
2. Desserrer et retirer les quatre vis du carter de moteur et retirer ce premier.
3. Déconnecter du moteur les fils noirs et rouges provenant du logement de la pompe et des condensateurs.
4. Retirer les condensateurs de leur agrafe de montage.
5. Desserrer et retirer les quatre vis de montage du moteur.
6. Retirer le moteur du logement de la pompe.

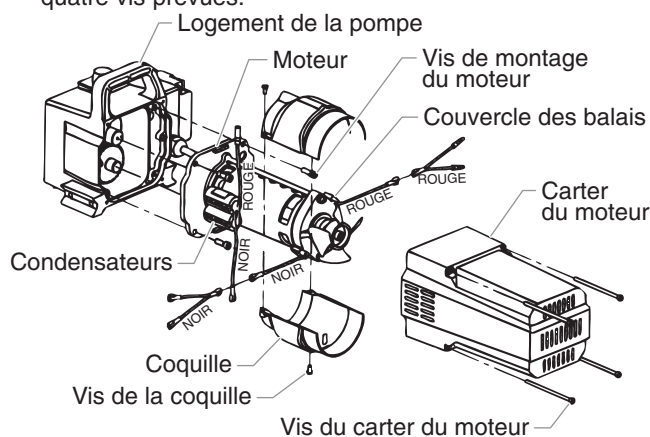
NOTA: Si le moteur refuse de sortir du logement de la pompe :

- Retirer le couvercle avant.
- Au moyen d'un maillet en caoutchouc, donner de petits coups à l'avant du vilebrequin (qui ressort de la bielle).

7. Une fois le moteur retiré, inspecter les engrenages dans le logement de la pompe pour y détecter d'éventuels dommages ou une usure excessive. Les remplacer, le cas échéant.
8. Installer le nouveau moteur dans le logement de la pompe.

NOTA: Faire tourner manuellement le ventilateur du moteur jusqu'à ce que l'engrenage d'armature entre en prise avec celui du logement de la pompe.

9. Fixer le moteur au moyen des quatre vis de montage.
10. Enclipser les condensateurs sur leurs agrafes respectives.
11. Reconnecter les fils (se reporter au schéma de raccordement électrique de la section Listes de pièces du présent manuel).
12. Glisser le carter sur le moteur en le fixant au moyen des quatre vis prévues.



Remplacement des balais de moteur

Pour effectuer cette procédure, on doit se procurer une trousse de remplacement des balais de moteur (no 704-276).

1. Desserrer et retirer les quatre vis du carter de moteur et retirer ce premier.
2. Desserrer et retirer les deux vis de la coquille et retirer cette dernière.
3. Au moyen d'un petit tournevis, disjoindre les deux couvercles de balai en plastique.
4. Déconnecter les fils rouges et noirs des balais et retirer ces derniers.
5. Installer les nouveaux balais et enclipser les couvercles en plastique.
6. Reconnecter les fils rouges et noirs des balais (se reporter au schéma de raccordement électrique de la section Listes de pièces du présent manuel).
7. Mettre la coquille au-dessus du ventilateur du moteur et la fixer au moyen des deux vis prévues.
8. Glisser le carter sur le moteur en le fixant au moyen des quatre vis prévues.

Remplacement des engrenages

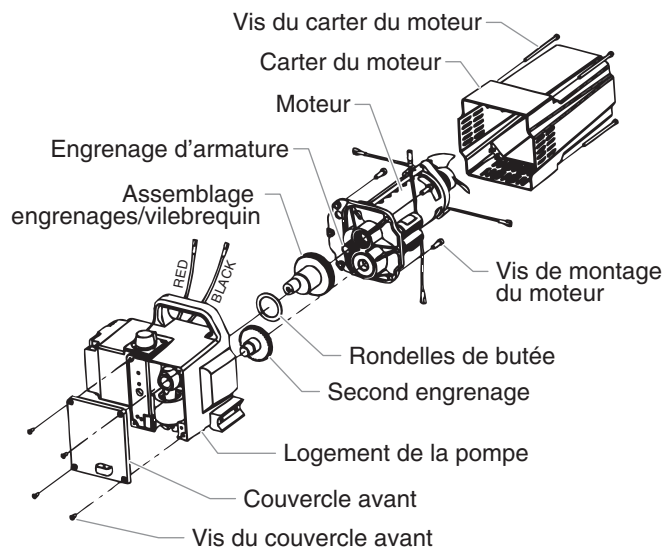
1. Desserrer et retirer les quatre vis du carter de moteur et retirer ce premier.
2. Déconnecter les fils rouge et noir provenant du logement de la pompe.
3. Desserrer et retirer les quatre vis de montage du moteur.
4. Retirer le moteur du logement de la pompe.

NOTA: Si le moteur refuse de sortir du logement de la pompe :

- Retirer le couvercle avant.
- Au moyen d'un maillet en caoutchouc, donner de petits coups à l'avant du vilebrequin (qui ressort de la bielle).

7. Inspecter l'engrenage d'armature à l'extrémité du moteur pour y détecter d'éventuels dommages ou une usure excessive. Si cet engrenage est complètement usé, remplacer tout le moteur.
8. Retirer et inspecter le second engrenage pour y détecter d'éventuels dommages ou une usure excessive. Le remplacer, le cas échéant.
9. Retirer et inspecter l'assemblage engrenages/vilebrequin pour y détecter d'éventuels dommages ou une usure excessive. Le remplacer, le cas échéant.
10. Remonter la pompe en reprenant les étapes ci-dessus à l'envers, en s'assurant que les rondelles de butée restent bien en place.

NOTA: Verser environ 150 ml (5 oz) de Lubriplate (no 314-171) dans la boîte d'engrenages.



Remplacement du transducteur

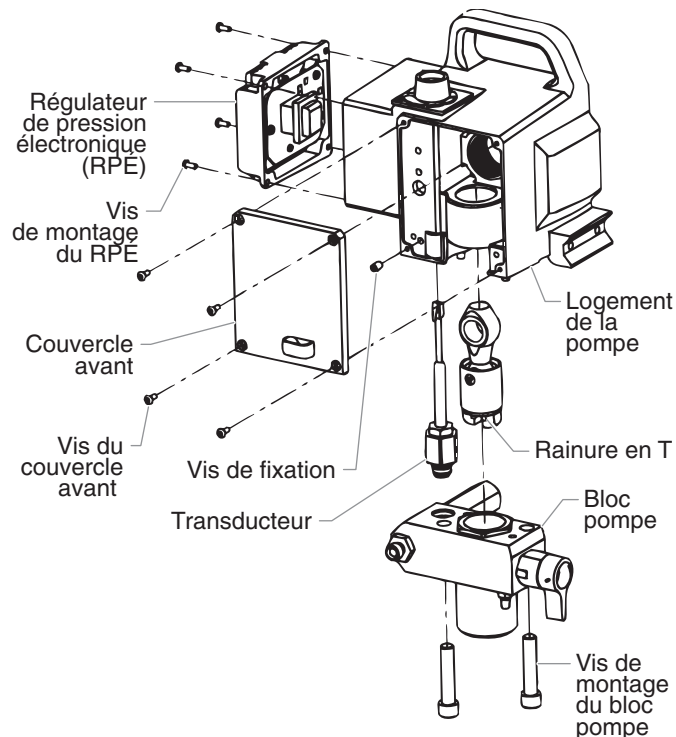
1. Desserrer et retirer les quatre vis du couvercle avant et retirer ce dernier.
2. Arrêter le vaporisateur en le bas de course afin que le piston soit à sa position la plus basse. Débrancher l'appareil.

Avant de procéder, on doit suivre les directives de la section Procédure de décompression du présent manuel. On doit également respecter tous les autres avertissements si on veut éviter les blessures par injection, par contact avec une pièce mobile ou par choc électrique. Le vaporisateur doit toujours être débranché avant d'être entretenu ou réparé.



3. Incliner la pompe vers l'arrière pour accéder plus facilement à la section des liquides.
4. Au moyen d'une clé hexagonale de 1,0 cm, desserrer et retirer les deux vis de montage du bloc pompe.
5. Tirer sur le bloc pompe afin de le faire ressortir d'environ 1,5 cm (1/2 po) de son logement, de manière à dégager le transducteur.
6. Glisser le bloc pompe et la tige du piston vers l'avant jusqu'à ce que cette dernière sorte de la rainure en T de la bielle.
7. Desserrer et retirer les quatre vis de montage du RPÉ (régulateur de pression électronique)
8. Écarter le RPÉ de manière à pouvoir accéder au connecteur du transducteur.
9. Déconnecter le transducteur de l'emplacement JP3 du tableau du RPÉ (se reporter au schéma de raccordement électrique de la section Listes de pièces du présent manuel).
10. Au moyen d'une clé hexagonale de 0,3 cm (1/8 po), desserrer et retirer la vis de fixation de la partie inférieure du logement de la pompe.
11. Glisser le transducteur hors de cette partie inférieure.
12. Installer le nouveau transducteur dans le logement de la pompe.
13. Insérer et serrer fermement la vis de fixation dans la partie inférieure.
14. Connecter le transducteur dans l'emplacement JP3 du tableau du RPÉ (se reporter au schéma de raccordement électrique de la section Listes de pièces du présent manuel).
15. Remonter la pompe en reprenant les étapes 1 à 8 à l'envers.

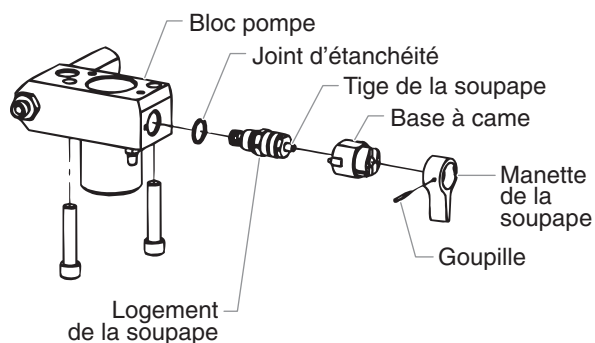
IMPORTANT : Afin d'éviter d'endommager le joint d'étanchéité du transducteur, s'assurer que ce dernier soit correctement aligné avec le trou du bloc pompe.



Remplacement de la soupape AMORÇAGE/VAPORISATION

Pour effectuer cette procédure, on doit se procurer une trousse de remplacement de soupape AMORÇAGE/VAPORISATION (no 700-258).

1. Pousser la goupille hors de la manette de la soupape
2. Retirer la manette et la base à came.
3. Au moyen d'une clé, desserrer et retirer le logement de la soupape.
4. S'assurer que le joint d'étanchéité soit à sa place, et visser le nouveau logement dans le bloc pompe; serrer fermement à l'aide d'une clé.
5. Mettre la base à came par dessus le logement de la soupape; la lubrifier au moyen de graisse et aligner la came avec le bloc pompe.
6. Aligner le trou dans la tige de soupape avec celui de la manette.
7. Insérer la goupille à travers ces deux trous afin de fixer la manette en place.



Maintenance de la section des liquides

On doit suivre les procédures suivantes pour effectuer la maintenance des soupapes et remplacer les tampons graisseurs de la section des liquides. Au préalable, il est cependant important de procéder aux étapes ci-dessous.

1. Desserrer et retirer les quatre vis du couvercle avant et retirer ce dernier.
2. Arrêter le vaporisateur en le bas de course afin que le piston soit à sa position la plus basse. Débrancher l'appareil.

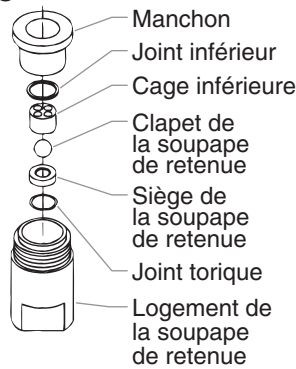


Avant de procéder, on doit suivre les directives de la section Procédure de décompression du présent manuel. On doit également respecter tous les autres avertissements si on veut éviter les blessures par injection, par contact avec une pièce mobile ou par choc électrique. Le vaporisateur doit toujours être débranché avant d'être entretenu ou réparé.

3. Dévisser le flexible de retour du bloc pompe.
4. Retirer l'agrafe qui fixe le bloc d'aspiration à la soupape de retenue; disjoindre ces éléments.
5. Incliner la pompe vers l'arrière pour accéder plus facilement à la section des liquides.

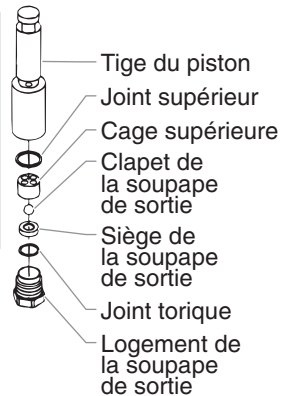
Maintenance des soupapes

La conception de la section des liquides du vaporisateur Titan fait en sorte qu'on peut accéder aux soupapes de retenue et de sortie, de même qu'à leur siège respectif, sans avoir à démonter toute la section. Il arrive que ces soupapes soient mal assises à cause de débris accumulés; en suivant les directives ci-dessous, on peut les nettoyer et inverser ou remplacer leur siège.



1. Au moyen d'une clé, desserrer et retirer le logement de la soupape de retenue du bloc pompe.
2. Enlever tous les débris dans le logement et examiner les composants; si le siège est endommagé, l'inverser ou le remplacer.
3. À l'aide d'une clé hexagonale de 1,0 cm (3/8 po), dévisser et retirer le logement de la soupape de sortie de la tige du piston.

NOTA: La tige du piston doit toujours être raccordée à la pompe quand on effectue l'entretien de la soupape de sortie; ce faisant, on évitera que la tige pivote lorsqu'on démonte la soupape.

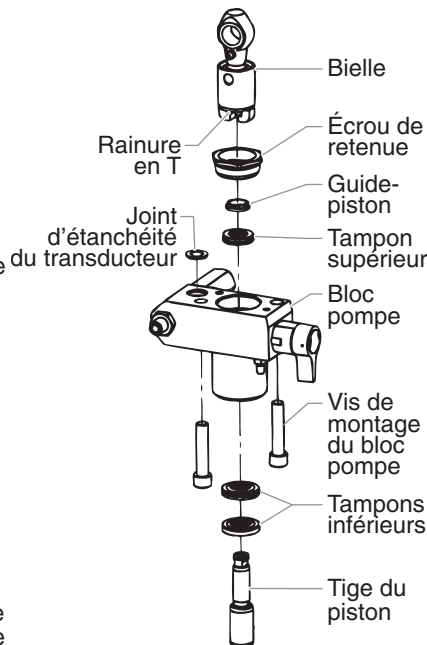


4. Enlever tous les débris dans le logement et examiner les composants; si le siège est endommagé, l'inverser ou le remplacer.
5. Retirer, nettoyer et inspecter la cage et le clapet supérieurs; les remplacer s'ils sont usés ou endommagés.
6. Remonter les soupapes en reprenant les étapes ci-dessus à l'envers.

Remplacement des tampons graisseurs

NOTA: Les tampons installés en usine sont noirs, tandis que ceux de rechange (dans la trousse de remplacement) sont blancs.

1. Retirer les soupapes de retenue et de sortie en suivant les directives de la section Maintenance des soupapes ci-dessus.
2. Au moyen d'une clé hexagonale de 1,0 cm, desserrer et retirer les deux vis de montage du bloc pompe.
3. Tirer sur le bloc pompe afin de le faire ressortir d'environ 1,5 cm de son logement.
4. Glisser le bloc pompe et la tige du piston vers l'avant jusqu'à ce que cette dernière sorte de la rainure en T de la bielle.

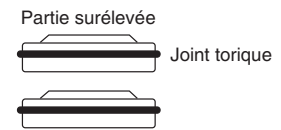


5. Glisser la tige du piston hors de la partie inférieure du bloc pompe.
6. Desserrer et retirer l'écrou de retenue et le guide-piston du bloc pompe.
7. Retirer les tampons supérieur et inférieurs du bloc pompe.
8. Nettoyer le bloc pompe et installer les nouveaux tampons supérieur et inférieurs (se reporter à l'illustration ci-dessous pour bien les orienter).

La partie surélevée et le joint torique du tampon supérieur doivent être vers le bas.



La partie surélevée et le joint torique des tampons inférieurs doivent être vers le haut.



9. Inspecter la tige du piston pour y déceler toute trace d'usure et la remplacer au besoin.
10. Remonter la soupape de sortie dans la tige du piston; serrer fermement le logement au moyen d'une clé.

NOTA: Se servir de la rainure en T de la bielle pour retenir la tige du piston quand on serre le logement de la soupape.

IMPORTANT: On ne doit jamais se servir d'une clé pour serrer le piston lui-même, ce qui pourrait l'endommager et entraîner des fuites.

11. Insérer le guide-piston dans l'écrou de retenue et visser fermement ce dernier à la main dans le bloc pompe.
12. Glisser l'outil guide-piston (inclus dans la trousse de remplacement des tampons) sur le dessus de la tige du piston, puis insérer cette dernière dans la partie inférieure du bloc pompe. À l'aide d'un maillet en caoutchouc, donner de petits coups au bas de la tige jusqu'à ce qu'elle reprenne sa place dans le bloc pompe.

NOTA: Enduire de graisse l'outil guide-piston et la tige du piston avant de les insérer dans le bloc pompe.

13. Au moyen d'une clé, serrer fermement l'écrou de retenue.
14. Glisser le haut de la tige du piston dans la rainure en T de la bielle.
15. Positionner le bloc pompe sous son logement et l'y insérer jusqu'au fond.

IMPORTANT: Afin d'éviter d'endommager le joint d'étanchéité du transducteur, s'assurer que ce dernier soit correctement aligné avec le trou du bloc pompe.

16. Insérer les vis de montage du bloc pompe à travers ce dernier et son logement; serrer fermement.
17. Remonter la soupape de retenue dans le bloc pompe.
18. Insérer le coude du bloc d'aspiration dans la partie inférieure de la soupape de retenue. Positionner l'agrafe de retenue dans cette dernière de manière à fixer le bloc d'aspiration.
19. Visser le flexible de retour dans le bloc pompe et serrer fermement.
20. Mettre le couvercle avant sur le logement de la pompe et le fixer au moyen des quatre vis prévues.
21. Mettre le vaporisateur en marche en suivant la procédure indiquée dans la section Fonctionnement du présent manuel pour s'assurer de l'absence de fuites.

NOTA: On peut se procurer une trousse de remplacement des tampons graisseurs (no 730-401), laquelle contient les éléments qui garantiront les meilleurs résultats pour cette procédure.

Dépannage

Vaporisateur à dépression

Problème

Le moteur électrique ne tourne pas

Cause

1. Appareil débranché ou fusible grillé
2. Réglage de pression trop bas
3. Balais du moteur usés
4. Moteur grillé
5. Commutateur défectueux
6. Disjoncteur du vaporisateur déclenché

Solution

1. Vérifier
2. Augmenter la pression
3. Remplacer
4. Remplacer
5. Remplacer
6. Réarmer le disjoncteur

Le vaporisateur ne s'amorce pas

1. Air dans les flexibles
2. Pression insuffisante
3. Embrayage usé ou endommagé (modèles à essence)

1. Vérifier le joint torique du siphon ou laisser le produit circuler en position d'amorçage
2. Augmenter la pression
3. Remplacer

Le débit de produit de peinture est trop bas

1. Absence de produit de peinture
2. Crépine du siphon obstruée
3. Filtre du vaporisateur/pistolet obstrué
4. Vaporisateur ne pouvant s'amorcer; produit de peinture trop épais
5. Mauvaise mise au point du moteur (modèles à essence)
6. Embrayage usé (modèles à essence)

1. Vérifier la source
2. Nettoyer
3. Nettoyer et remettre
4. Diluer le produit
5. Mettre le moteur au point
6. Effectuer la maintenance

Le vaporisateur ne maintient pas une pression uniforme

1. Fuite d'air dans le système
2. Fuite d'air dans le flexible du siphon
3. Soupape d'entrée mal assise
4. Tampons graisseurs usés
5. Clapets sales ou usés
6. Sièges de soupape usés
7. Soupape d'amorçage usée

1. Serrer les raccords
2. Serrer, s'assurer de l'absence de fuites
3. Effectuer la maintenance ou le nettoyage
4. Remplacer
5. Nettoyer ou remplacer
6. Inverser les tampons
7. Remplacer

Pas assez de pression

1. Réglage de pression trop bas
2. Filtres obstrués
3. Embout de vaporisation trop gros ou usé
4. Régime de moteur trop bas (modèles à essence)

1. Augmenter
2. Nettoyer ou remplacer
3. Changer ou remplacer
4. Augmenter le régime

Trop grand afflux au pistolet vaporisateur

1. Mauvais type de flexible
2. Embout de vaporisation trop gros ou usé
3. Pression excessive

1. Remplacer par un flexible haute pression en tresse de Nylon d'une longueur minimale de 15 m (50 pi)
2. Changer ou remplacer
3. Diminuer la pression et le régime du moteur

Le produit de peinture fuit dans la cuvette d'égouttage

1. Tampons graisseurs usés

1. Remplacer

Pistolet à dépression

Problème

Le pistolet crachote

Cause

1. Air dans le système
2. Pistolet sale
3. Aiguille mal ajustée
4. Siège brisé ou ébréché

Solution

1. Inspecter les raccords pour y déceler d'éventuelles fuites
2. Démonter et nettoyer
3. Inspecter et réajuster
4. Inspecter et remplacer

Le pistolet ne s'arrête pas

1. Aiguille et siège usés ou brisés
2. Aiguille mal ajustée
3. Pistolet sale

1. Remplacer
2. Ajuster
3. Nettoyer

Le pistolet ne vaporise pas

1. Absence de produit de peinture
2. Filtre ou embout obstrués
3. Aiguille du pistolet brisée

1. Vérifier la source de liquide
2. Nettoyer
3. Remplacer

Dépannage

Formes de vaporisation

Problème

Traînées

Trop concentré au centre

Déformé

Forme allant en s'élargissant et en rapetissant (afflux)

Cause

1. Débit de liquide inadéquat
2. Liquide qui ne s'atomise pas
3. Manque de pression
4. Épaisseur excessive du produit de peinture
5. Embout trop usé pour accepter la capacité du vaporisateur

1. Embout usé
2. Embout ébréché

1. Embout obstrué, usé ou ébréché

1. Fuite dans le flexible d'aspiration
2. Flexible pas assez long

3. Embout de vaporisation trop gros ou usé

Solution

1. Augmenter la pression
2. Remplacer par un embout plus petit
3. Nettoyer le pistolet et les filtres de pompe
4. Réduire la viscosité

5. Remplacer

1. Remplacer
2. Remplacer

1. Nettoyer ou remplacer

1. Serrer
2. Remplacer par un flexible haute pression de 0,6 cm (1/4 po) d'une longueur minimale de 15 m (50 pi)
3. Remplacer par un embout neuf ou plus petit

Brevets

Ces produits sont protégés par un ou plusieurs des brevets (U.S.A.) suivants :

4,500,119 4,768,929



Información de seguridad importante • Lea toda la información de seguridad antes de operar el equipo. Guarde estas instrucciones.



Indica una situación peligrosa que, de no evitarse, puede causar la muerte o lesiones graves.



Para reducir los riesgos de incendios, explosiones, descargas eléctricas o lesiones a las personas, lea y entienda todas las instrucciones incluidas en este manual. Familiarícese con los controles y el uso adecuado del equipo.

PELIGRO: LESIÓN POR INYECCIÓN

El flujo de pintura a alta presión que produce este equipo puede perforar la piel y los tejidos subyacentes, ocasionando lesiones graves y posible amputación. CONSULTE A UN MÉDICO INMEDIATAMENTE.



¡NO TRATE LA LESIÓN POR INYECCIÓN COMO UNA CORTADURA SIMPLE! La inyección puede ocasionar amputación. Consulte a un médico inmediatamente.

La gama operativa máxima de la pistola es de 3200 PSI / 22.1 MPa de presión del líquido.

PREVENCIÓN:

- NUNCA apunte la pistola a ninguna parte del cuerpo.
- No apunte con la pistola ni rocíe a cualquier persona o animal.
- NUNCA deje que ninguna parte del cuerpo toque el flujo de líquido. NO deje que el cuerpo toque una fuga de la manguera de líquido.
- NUNCA ponga la mano frente a la pistola. Los guantes no protegen contra una lesión por inyección.
- SIEMPRE ponga el seguro del gatillo, apague la bomba y libere toda la presión antes de dar servicio, limpiar la boquilla o protección, cambiar la boquilla o dejar la pistola sin supervisión. No se libera la presión al apagar el motor. Debe girarse la perilla PRIME/ SPRAY (CEBAR/ROCIAR) a PRIME (CEBAR) para aliviar la presión. Consulte el PROCEDIMIENTO PARA ALIVIAR LA PRESIÓN descrito en este manual.
- SIEMPRE mantenga la protección de la boquilla en su sitio al rociar. La protección de la boquilla sirve principalmente de dispositivo de advertencia.
- SIEMPRE retire la boquilla rociadora antes de enjuagar o limpiar el sistema.
- La manguera de pintura puede presentar fugas por desgaste, dobleces y maltrato. La fuga puede inyectar material traspasando la piel. Inspeccione la manguera antes de cada uso. No use mangueras para levantar o tirar del equipo.
- NUNCA use una pistola rociadora sin contar con el seguro y la protección del gatillo.
- Todos los accesorios deben tener capacidades nominales de 3200 PSI / 22.1 MPa como mínimo. Esto incluye las boquillas rociadoras, pistolas, extensiones y manguera.
- No deje el aparato con corriente ni con presión cuando nadie esté pendiente de ella. Cuando no utilice el aparato, apáguelo y libere la presión siguiendo las instrucciones del PROCEDIMIENTO PARA ALIVIAR LA PRESIÓN descrito en este manual.
- Antes de utilizar el aparato, verifique que todas las conexiones son seguras. Las partes no aseguradas pueden ser expulsadas con gran fuerza o filtrar fluido a alta presión y provocar lesiones severas.
- Ponga siempre el seguro del gatillo cuando no esté pulverizando. Verifique que el seguro del gatillo funciona correctamente.

NOTA PARA EL MÉDICO: La inyección a través de la piel es una lesión traumática. Es importante tratar la lesión tan pronto sea posible. NO retrase el tratamiento para investigar la toxicidad. La toxicidad es un factor a considerar con ciertos revestimientos inyectados directamente en la corriente sanguínea. Puede ser aconsejable consultar con un cirujano plástico o un cirujano especialista en reconstrucción de las manos.

PELIGRO: VAPORES PELIGROSOS

Las pinturas, solventes, insecticidas y demás materiales pueden ser nocivos si se inhalan o toman contacto con el cuerpo. Los vapores pueden causar náuseas graves, desmayos o envenamamiento.



PREVENCIÓN:

- Use un respirador o mascarilla si pueden inhalarse los vapores. Lea todas las instrucciones suministradas con la mascarilla para revisar que brinde la protección necesaria.
- Use lentes protectores.
- Use ropa protectora según lo indique el fabricante del revestimiento.



PELIGRO: EXPLOSIÓN O INCENDIO

Los vapores de solventes y pinturas pueden explotar o inflamarse. Pueden producirse daños materiales, lesiones graves o ambos.



PREVENCIÓN:

- Cuente con escape y entrada de aire fresco para mantener el aire dentro de la zona de aplicación sin acumulaciones de vapores inflamables. Los gases producidos por solventes o pinturas pueden causar explosiones o incendios.
- No rocíe en lugares cerrados.
- Evite todas las fuentes de ignición como las chispas de electricidad estática, las llamas expuestas, appliances eléctricas, las luces piloto y los objetos calientes. La conexión o desconexión de cables eléctricos o interruptores de luz operativos puede producir chispas. Si la pintura o el solvente fluyen por el equipo se puede generar electricidad estática.
- No fume en el área de aplicación.
- Debe haber un extintor de incendios en buen estado.
- Coloque la bomba de pintura a un mínimo de 7.62 meters (25 pies) del objeto a pintar dentro de un área bien ventilada (añada más manguera si es necesario). Los vapores inflamables son generalmente más pesados que el aire. El área debe estar sumamente bien ventilada.
- El equipo y los objetos dentro y alrededor del área a pintar deben estar debidamente conectados a tierra para evitar las chispas de estática.
- Mantenga el área limpia y libre de contenedores de pintura o solvente, trapos y otros materiales inflamables.
- Use solamente una manguera conductora o conectada a tierra para líquidos a alta presión. La pistola debe conectarse a tierra a través de las conexiones de la manguera.
- Para las aparatos eléctricas — Debe conectarse el cable eléctrico a un circuito a tierra.
- Siempre enjuague la unidad dentro de un recipiente metálico separado, con la bomba a baja presión y habiendo sacado la boquilla rociadora. Sostenga la pistola firmemente contra el costado del recipiente para conectar a tierra el mismo y evitar chispas de estática.
- Siga las advertencias e instrucciones del fabricante del material y del solvente. Conozca los contenidos de las pinturas y los solventes con los que rocía. Lea todas las Hojas de Datos sobre Seguridad de Materiales (MSDS) y las etiquetas del contenedor provistas con las pinturas y los solventes. Siga las instrucciones de seguridad del fabricante de pinturas o solventes.
- Tenga muchísimo cuidado al usar materiales cuyo punto de ignición sea inferior a 70°F (21°C). El punto de inflamación es la temperatura a la que un fluido puede producir vapores suficientes para encenderse.
- El plástico puede causar chispas de estática. Nunca cuelgue plásticos para cerrar una zona a pintar. No use mantas plásticas al aplicar materiales inflamables.
- Use la presión más baja posible para enjuagar el equipo.
- No rocíe el ensamblaje de la bomba.





Información de seguridad importante • Lea toda la información de seguridad antes de operar el equipo. Guarde estas instrucciones.

PELIGRO: POSIBLE EXPLOSIÓN DEBIDO A MATERIALES INCOMPATIBLES



Causará daños materiales o lesiones graves.

PREVENCIÓN:

- No use materiales que contengan blanqueador o cloro.
- No use solventes de hidrocarburos halogenados como blanqueador, mohocida, cloruro de metileno y 1,1,1 tricloroetano. No son compatibles con el aluminio.
- Diríjase al proveedor de revestimientos para obtener los datos de compatibilidad del material con el aluminio.

PELIGRO: GENERAL

Puede causar daños materiales o lesiones graves.

PREVENCIÓN:

- Lea todas las instrucciones y las precauciones de seguridad antes de operar el equipo.
- Siga todos los códigos locales, estatales y nacionales correspondientes que rijan la ventilación, prevención de incendios y operación.
- Se han adoptado las normas de seguridad del Gobierno de los Estados Unidos según la Ley de seguridad ocupacional y salud (Occupational Safety and Health Act, OSHA). Deben consultarse estas normas, particularmente el apartado 1910 de las Normas generales y el apartado 1926 de las Normas de construcción.
- Utilice solamente componentes autorizados por el fabricante. El usuario asume todo riesgo y responsabilidad al utilizar componentes que no cumplan con las especificaciones mínimas y requisitos de seguridad del fabricante de la bomba.
- Todos los acopladores, las mangueras y las tapas de los filtros deben estar asegurados antes de operar la bomba de rocío. Las partes no aseguradas pueden ser expulsadas con gran fuerza o filtrar fluido a alta presión y provocar lesiones severas.
- Antes de cada uso, revise todas las mangueras en busca de cortes, fugas, abrasión o hinchazón de la cubierta. Revise si hay daños o movimiento de los acoplamiento. Cambie inmediatamente la manguera si existe alguna de estas condiciones. Nunca repare una manguera de pintura. Cámbiela por otra manguera conectada a tierra apta para alta presión.
- No retuerza ni doble la manguera en exceso. En la manguera airless pueden aparecer fugas a causa del desgaste, de retorcimientos o de un mal uso. Una fuga puede inyectar material en la piel.
- No exponga la manguera a temperaturas o presiones que superen las especificadas por el fabricante.
- No pinte en exteriores en días con viento.
- Use ropa que mantenga la pintura alejada de la piel y el cabello.
- No lo opere ni rocíe cerca de los niños. Mantenga a los niños alejados del equipo en todo momento.
- No se asome ni se pare sobre soportes inestables. Mantenga siempre la posición firme y el equilibrio efectivos.
- Use la presión más baja posible para enjuagar el equipo.
- Manténgase alerta y mire lo que hace.
- No utilice la unidad cuando se encuentre cansado o bajo la influencia de las drogas o el alcohol.
- Para las aparatos eléctricos — Desenchufe siempre el cable antes de trabajar en el equipo.
- No utilice la manguera como elemento de fuerza para tirar del equipo o levantarlo.
- No levantar por la manija del carro al cargar o descargando.

Instrucciones para conectar a tierra

Este producto se debe conectar a tierra. En caso de que ocurra un corto circuito, la conexión a tierra reduce el riesgo de choque eléctrico al proporcionar un alambre de escape para la corriente eléctrica. Este producto está equipado con un cable que tiene un alambre de conexión a tierra con un enchufe de conexión a tierra apropiado. El enchufe se debe enchufar en una toma de corriente que se haya instalado y conectado a tierra debidamente, de acuerdo con todos los códigos y estatutos locales.

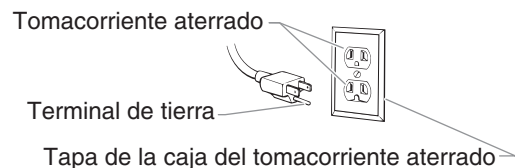


La instalación incorrecta del enchufe a tierra puede ocasionar un riesgo de choque eléctrico.



Si es necesario reparar o cambiar el cable o el enchufe, no conecte el cable verde a tierra a ninguno de los terminales de espiga plana. El cable con aislamiento de color verde por fuera con o sin rayas amarillas es el alambre a tierra y debe conectarse a la espiga a tierra.

Consulte a un electricista o técnico de servicio capacitado si las instrucciones para la conexión a tierra no se entienden claramente o si tiene dudas en cuanto a que el producto esté debidamente conectado a tierra. No modifique el enchufe que se incluye. Si el enchufe no encaja en el receptáculo, pida a un electricista capacitado que instale un receptáculo adecuado.



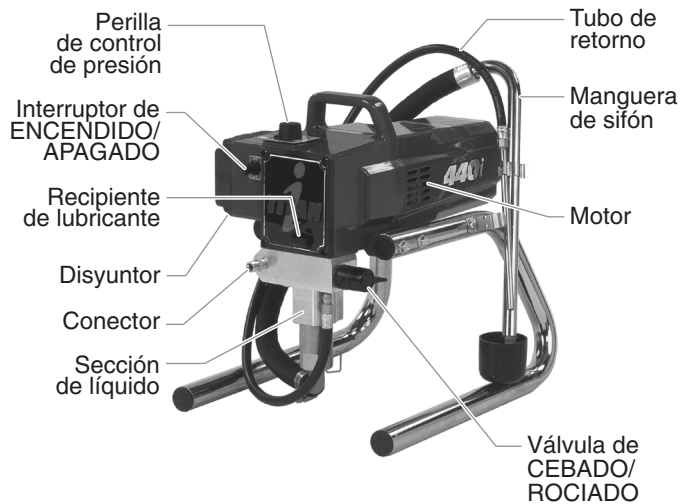
IMPORTANTE: Use solamente extensiones trifilares que tengan un enchufe de conexión a tierra de 3 hojas y un receptáculo de triple ranura que acepte el enchufe del producto. Asegúrese de que su extensión esté en buenas condiciones. Cuando use una extensión, asegúrese de usar una que sea lo suficientemente resistente como para soportar la corriente que descargue su producto. Un cable de un tamaño menor causará una caída de voltage en la línea que dará como resultado una pérdida de energía y un sobrecalentamiento. Se recomienda usar un cable de calibre 12. Si se utiliza un cable de extensión en el exterior, tiene que estar marcado con el sufijo W-A después de la designación del tipo de cable. Por ejemplo, SJTW-A para indicar que el cable es apropiado para uso en exteriores.

Contenido

| | |
|--|----|
| Precauciones de seguridad | 26 |
| Descripción general | 28 |
| Funcionamiento..... | 28 |
| Configuración..... | 28 |
| Preparación para pintar | 29 |
| Pintura | 29 |
| Indicadores del control de presión electrónico | 30 |
| Procedimiento para aliviar la presión | 30 |
| Rociado | 30 |
| Técnica de rociado | 30 |
| Práctica..... | 31 |
| Limpieza | 31 |
| Mantenimiento | 32 |
| Notas generales de reparación y servicio | 32 |
| Reemplazo de los filtros | 32 |
| Reemplazo del motor | 33 |
| Reemplazo de los cepillos del motor..... | 33 |
| Reemplazo de los engranajes | 33 |
| Reemplazo del transductor..... | 33 |
| Reemplazo de la válvula de CEBADO/ROCIADO | 34 |
| Servicio a la sección de líquidos | 34 |
| Solución de problemas..... | 36 |
| Listados de piezas | 38 |
| Ensamblaje principal..... | 38 |
| Ensamblaje del motor..... | 39 |
| Ensamblaje de la caja de engranajes | 40 |
| Ensamblaje de la sección de líquidos | 42 |
| Ensamblaje de la base | 44 |
| Ensamblaje del juego de succión..... | 44 |
| Esquema eléctrico | 45 |
| Accesorios | 47 |
| Garantía..... | 48 |

Descripción general

Este rociador sin aire es una herramienta precisa que se utiliza para rociar diferentes tipos de materiales. Lea y siga este manual de instrucciones minuciosamente para ver las instrucciones de operación apropiadas, así como también información de mantenimiento y seguridad.



Funcionamiento



Este equipo produce un flujo constante a presiones extremadamente altas. Lea detalladamente las advertencias de la sección Precauciones de seguridad en la parte delantera de este manual antes de operar este equipo.

Configuración

Realice el procedimiento a continuación antes de enchufar el cable de alimentación de una unidad eléctrica.

1. Fíjese que el juego de succión y la manguera de retorno estén conectados y seguros.
2. Conecte un mínimo de 50 pies de manguera rociadora sin aire de nilón a la unidad.
3. Conecte la pistola rociadora sin aire a la manguera rociadora. No conecte todavía la punta a la pistola rociadora. Retire la punta si está conectada.



Fíjese que todas las mangueras sin aire y las pistolas rociadoras estén conectadas a tierra y que tengan una capacidad nominal mínima de 3200 psi (22.1 MPa) de presión de fluido.

4. Fíjese que la perilla de control de presión esté en la posición OFF (APAGADO) en la zona negra.
5. Fíjese que el interruptor de ON/OFF (ENCENDIDO/APAGADO) esté en la posición OFF (APAGADO).
6. Llene el recipiente con una cucharada de lubricante de sello de pistón (Piston Lube).

IMPORTANTE: Nunca haga funcionar la unidad durante más de 10 segundos sin líquido. La operación de esta unidad sin líquido ocasionará un desgaste innecesario de las empaquetaduras.

7. Revise que el servicio eléctrico sea de 120V, 15 amperios, como mínimo.
8. Enchufe el cable de alimentación en un tomacorriente con conexión a tierra apropiada a una distancia mínima de 25 pies del área de rociado.

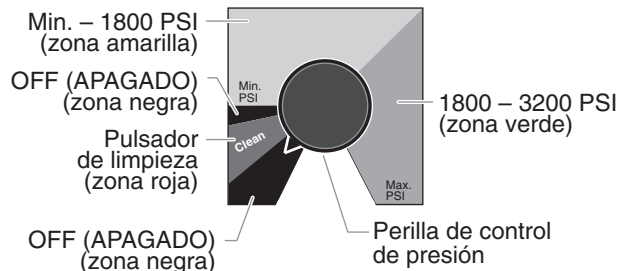
IMPORTANTE: Use siempre un cable de extensión de tres conductores, calibre 12 como mínimo, con enchufe conectado a tierra. Nunca retire la tercera pata ni use un adaptador.

Preparación de un rociador nuevo

Si esta unidad es nueva, se envía con un líquido de prueba en la sección de líquidos para evitar la corrosión durante el envío y almacenamiento. Este líquido debe retirarse completamente del sistema con alcoholes minerales antes de comenzar a rociar.

IMPORTANTE: Mantenga siempre el seguro del gatillo de la pistola rociadora en la posición bloqueada mientras prepara el sistema.

1. Coloque el tubo de succión en un recipiente de alcoholes minerales.
2. Coloque la manguera de retorno en un recipiente metálico para desecho.
3. Fije la presión al mínimo girando la perilla de control de presión al ajuste "Min" en la zona amarilla.



4. Mueva hacia abajo la válvula PRIME/SPRAY (CEBADO/ROCIADO) a la posición PRIME (CEBADO).
5. Encienda la unidad moviendo el interruptor de ON/OFF (ENCENDIDO/APAGADO) a la posición ON (ENCENDIDO).
6. Deje funcionar el rociador entre 15 y 20 segundos para eliminar el resto del líquido de prueba a través de la manguera de retorno hacia el recipiente de desecho.
7. Apague la unidad moviendo el interruptor de ON/OFF (ENCENDIDO/APAGADO) a la posición OFF (APAGADO).

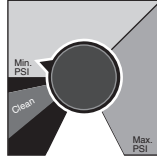
Preparación para pintar

Antes de pintar, es importante revisar que el líquido del sistema sea compatible con la pintura que va a utilizar.

NOTA: Los líquidos y pinturas incompatibles pueden causar que se atasquen cerradas las válvulas, lo cual puede necesitar que se desmonte y limpie la sección de líquidos del rociador.

IMPORTANTE: Mantenga siempre el seguro del gatillo de la pistola rociadora en la posición bloqueada mientras prepara el sistema.

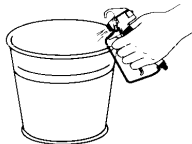
1. Coloque el tubo de succión en un recipiente con el solvente apropiado. Los solventes apropiados son, por ejemplo, agua para pintura látex o alcoholes minerales para las pinturas a base de aceite.
2. Coloque la manguera de retorno en un recipiente metálico para desecho.
3. Fije la presión al mínimo girando la perilla de control de presión al ajuste "Min" en la zona amarilla.
4. Mueva hacia abajo la válvula PRIME/SPRAY (CEBADO/ROCIADO) a la posición PRIME (CEBADO).
5. Encienda la unidad moviendo el interruptor de ON/OFF (ENCENDIDO/APAGADO) a la posición ON (ENCENDIDO).
6. Deje funcionar el rociador entre 15 y 30 segundos para eliminar el resto del solvente anterior a través de la manguera de retorno hacia el recipiente metálico de desecho.
7. Apague la unidad moviendo el interruptor de ON/OFF (ENCENDIDO/APAGADO) a la posición OFF (APAGADO).



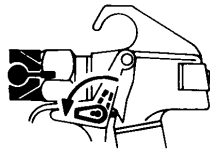
NOTA: Fíjese que la pistola rociadora no tenga instalada una punta o protección de punta.

8. Mueva hacia arriba la válvula PRIME/SPRAY (CEBADO/ROCIADO) a la posición SPRAY (ROCIADO).
9. Encienda la unidad.
10. Desbloquee la pistola girando el seguro del gatillo de la pistola a la posición liberada.

Conecte a tierra la pistola apoyándola contra el borde del recipiente de metal mientras elimina el líquido. De lo contrario puede provocar la descarga de electricidad estática, lo cual a su vez puede ocasionar un incendio.



11. Apriete el gatillo en el recipiente metálico para desecho hasta que el solvente usado salga y comience a salir solvente fresco de la pistola.
12. Bloquee la pistola girando el seguro del gatillo de la pistola a la posición bloqueada.
13. Deje hacia abajo la pistola y aumente la presión girando la perilla de control de presión lentamente en el sentido horario hacia la zona verde.
14. Revise todo el sistema en busca de fugas. Si ocurren fugas, siga el "Procedimiento para aliviar la presión" en este manual antes de apretar conectores o mangueras.
15. Siga el "Procedimiento para aliviar la presión" de este manual antes de cambiar de solvente a pintura.

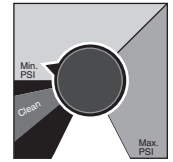


Coloque el seguro del gatillo en la posición de bloqueo.

No deje de seguir el procedimiento para aliviar la presión cuando apague la unidad por cualquier motivo, incluso el servicio o ajuste de alguna pieza del sistema de rociado, cambio o limpieza de las puntas rociadoras o la preparación para la limpieza.

Pintura

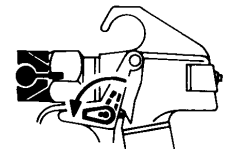
1. Coloque el tubo de succión en un recipiente de pintura.
2. Coloque la manguera de retorno en un recipiente metálico para desecho.
3. Fije la presión al mínimo girando la perilla de control de presión al ajuste "Min" en la zona amarilla.
4. Mueva hacia abajo la válvula PRIME/SPRAY (CEBADO/ROCIADO) a la posición PRIME (CEBADO).
5. Encienda la unidad moviendo el interruptor de ON/OFF (ENCENDIDO/APAGADO) a la posición ON (ENCENDIDO).
6. Deje funcionar el rociador hasta que empiece a pasar pintura a través de la manguera de retorno hacia el recipiente metálico de desecho.
7. Apague la unidad moviendo el interruptor de ON/OFF (ENCENDIDO/APAGADO) a la posición OFF (APAGADO).
8. Retire la manguera de retorno del recipiente para desecho y colóquela en la posición de operación, sobre el recipiente de pintura.
9. Mueva hacia arriba la válvula PRIME/SPRAY (CEBADO/ROCIADO) a la posición SPRAY (ROCIADO).
10. Encienda la unidad.
11. Desbloquee la pistola girando el seguro del gatillo de la pistola a la posición liberada.



Conecte a tierra la pistola apoyándola contra el borde del recipiente de metal mientras elimina el líquido. De lo contrario puede provocar la descarga de electricidad estática, lo cual a su vez puede ocasionar un incendio.



12. Apriete el gatillo en el recipiente metálico para desecho hasta que todo el aire y el solvente usado salga de la manguera rociadora y comience a salir pintura libremente de la pistola.
13. Bloquee la pistola girando el seguro del gatillo de la pistola a la posición bloqueada.
14. Apague la unidad.
15. Coloque la protección y la punta en la pistola según se indica en los manuales de las mismas.



Coloque el seguro del gatillo en la posición de bloqueo.

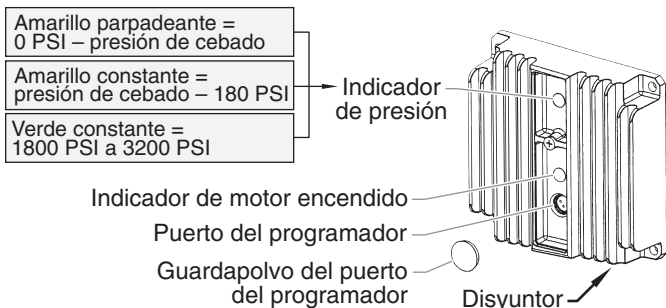
POSIBLE PELIGRO DE INYECCIÓN. No rocíe sin la protección de la punta en su lugar. Nunca apriete el gatillo de la pistola a menos que la punta esté en la posición de rociado o desatasco. Siempre coloque el seguro del gatillo de la pistola antes de retirar, reemplazar o limpiar la punta.

16. Encienda la unidad.
17. Aumente la presión girando la perilla de control de presión lentamente en el sentido horario hacia la zona verde y pruebe el patrón de rociado en un trozo de cartón. Ajuste la perilla de control de presión hasta que la pistola rocíe en forma completamente atomizada.

NOTA: Si se sube la presión más de lo necesario para atomizar la pintura causará el desgaste prematuro de la punta y rociará en exceso.

Indicadores del control de presión electrónico

A continuación se presenta una descripción de los indicadores del control de presión electrónico.



Procedimiento para aliviar la presión



No deje de seguir el procedimiento para aliviar la presión cuando apague la unidad por cualquier motivo, incluso el servicio o ajuste de alguna pieza del sistema de rociado, cambio o limpieza de las puntas rociadoras o la preparación para la limpieza.

1. Bloquee la pistola girando el seguro del gatillo de la pistola a la posición bloqueada.
2. Apague la unidad moviendo el interruptor de ON/OFF (ENCENDIDO/APAGADO) a la posición OFF (APAGADO).
3. Gire la perilla de control de presión en sentido antihorario a su posición OFF (APAGADO) en la zona negra.
4. Desbloquee la pistola girando el seguro del gatillo de la pistola a la posición liberada.
5. Sostenga firmemente la parte metálica de la pistola contra el lado de un recipiente metálico para conectar a tierra la pistola y evitar la acumulación de electricidad estática.
6. Accione el gatillo para aliviar toda presión que haya quedado en la manguera.
7. Bloquee la pistola girando el seguro del gatillo de la pistola a la posición bloqueada.
8. Mueva hacia abajo la válvula PRIME/SPRAY (CEBADO/ROCIADO) a la posición PRIME (CEBADO).



Rociado



POSIBLE PELIGRO DE INYECCIÓN. No rocíe sin la protección de la punta en su lugar. Nunca apriete el gatillo de la pistola a menos que la punta esté en la posición de rociado o desatasco. Siempre coloque el seguro del gatillo de la pistola antes de retirar, reemplazar o limpiar la punta.

Técnica de rociado

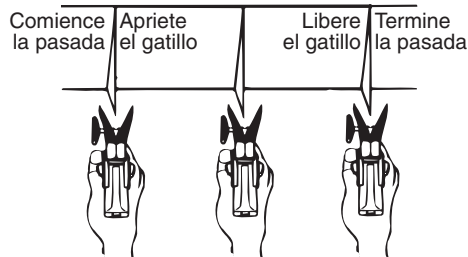
Cuando se sigan las técnicas a continuación, se asegurarán resultados profesionales al pintar.

Sostenga la pistola en forma perpendicular a la superficie y siempre a la misma distancia. Dependiendo del tipo de material, superficie o patrón de rociado deseado, la pistola debe sostenerse a una distancia entre 12 a 14 pulgadas (30 a 35 cm).

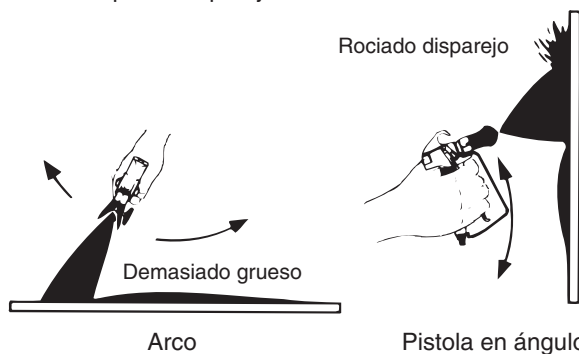
Mueva la pistola ya sea horizontal o verticalmente por la superficie a una velocidad constante. Moviendo la pistola a una velocidad constante se conserva material y se obtiene una cobertura pareja. La velocidad de rociado correcta permite aplicar una capa de pintura fresca sin chorrear ni exceder la cantidad de pintura.

Si se sostiene la pistola más cerca de la superficie se deposita más pintura sobre la superficie y se produce un patrón de pintura más angosto. Si se sostiene la pistola más lejos de la superficie se produce una capa más delgada de pintura y un patrón de rociado más amplio. Si ocurren chorreos, corrimiento o exceso de pintura, cambie a una punta de rociado con un orificio más pequeño. Si hay una cantidad insuficiente de pintura en la superficie o desea rociar más rápido, debe seleccionar una punta con orificio más grande.

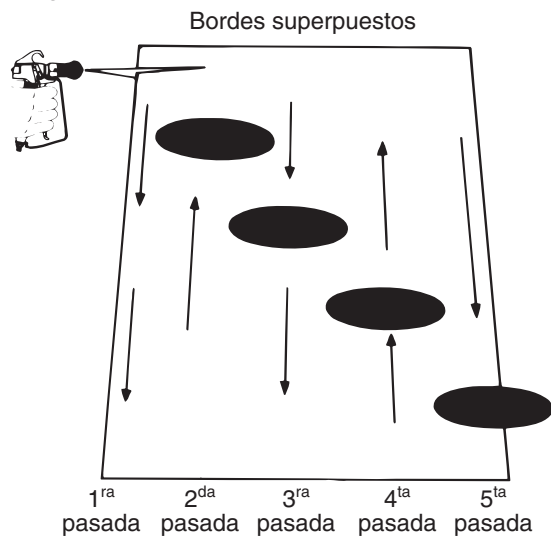
Haga una pasada uniforme para rociar. Rocíe en forma alternada de izquierda a derecha y viceversa. Comience el movimiento de la pistola antes de presionar el gatillo.



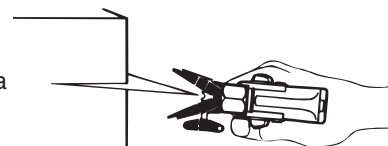
Evite hacer arcos o sostener la pistola en ángulo. Esto causará un aspecto disparejo.



La superposición adecuada (solapando el patrón de rociado) es algo indispensable para lograr un acabado pareja. Superponga cada pasada. Si rocía horizontalmente, apunte al borde inferior de la pasada precedente, de tal modo que se superponga al patrón anterior en un 50%.



Para las esquinas y bordes, separe el centro del patrón de rociado en la esquina o borde y rocíe verticalmente de manera que ambas secciones reciban aproximadamente la misma cantidad de pintura.



Cuando rocíe con una protección, sosténgala firmemente contra la superficie. Coloque la pistola levemente en ángulo apuntando desde la protección hacia la superficie. Esto evitará que se fuerce pintura por debajo.

Los arbustos junto a las casas deben amarrarse hacia atrás y cubrirse con tela de lona. La tela debe quitarse lo más pronto posible. Las extensiones de pistola Titan son sumamente útiles en estas situaciones.

Deben alejarse o cubrirse los objetos cercanos como automóviles, muebles de terraza, etc. siempre que se encuentren en la cercanía de un trabajo de pintura. Tenga cuidado con otros objetos circundantes que puedan dañarse con el exceso de rociado.

Práctica

1. Revise que la manguera de pintura no tenga dobleces y esté alejada de objetos con bordes cortantes.
2. Gire la perilla de control de presión en sentido antihorario a su posición más baja.
3. Gire hacia arriba la válvula PRIME/SPRAY (CEBADO/ROCIADO) a su posición SPRAY (ROCIADO).
4. Gire la perilla de control de presión en sentido horario hasta el ajuste más alto. La manguera de pintura se endurecerá a medida que la pintura comience a fluir.
5. Libere el seguro del gatillo de la pistola.
6. Apriete el gatillo de la pistola rociadora para purgar el aire de la manguera.
7. Cuando la pintura llegue a la boquilla, rocíe un área de prueba para examinar el patrón de rociado.

8. Use el ajuste de presión más bajo necesario para obtener un buen patrón de rociado. Si el ajuste de presión está muy alto, el patrón de rociado será muy liviano. Si la presión es demasiado baja, aparecerán residuos o la pintura salpicará en exceso en lugar de salir como un rocío fino.



Buen patrón de rociado



Patrón con residuos de pintura

Limpieza



No deje de seguir el procedimiento para aliviar la presión cuando apague la unidad por cualquier motivo, incluso el servicio o ajuste de alguna pieza del sistema de rociado, cambio o limpieza de las puntas rociadoras o la preparación para la limpieza. Instrucciones de limpieza especiales para usar con solventes inflamables:

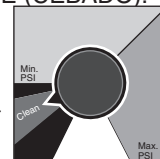
- Siempre lave la pistola rociadora preferiblemente afuera y alejada por lo menos un largo de manguera de la bomba rociadora.
- Si recoge los solventes lavados en un recipiente metálico de un galón, colóquelo en un recipiente vacío de cinco galones, luego lave los solventes.
- El área debe estar libre de vapores inflamables.
- Siga todas las instrucciones de limpieza.

IMPORTANTE: Deben limpiarse el rociador, la manguera y la pistola totalmente después del uso diario. De lo contrario, se permite la acumulación de material, afectando seriamente el rendimiento de la unidad.

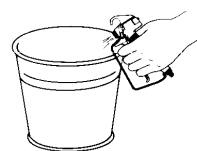


Siempre rocíe con la presión mínima y sin la boquilla de la pistola al utilizar alcoholes minerales u otros solventes para limpiar el rociador, la manguera o la pistola. La acumulación de electricidad estática puede producir un incendio o explosión en la presencia de vapores inflamables.

1. Siga el "Procedimiento de alivio de presión" de la sección Operación de este manual.
2. Retire la punta de la pistola y la protección y limpie con un cepillo usando el solvente adecuado.
3. Coloque el tubo de succión en un recipiente con el solvente apropiado. Los solventes apropiados son, por ejemplo, agua para pintura látex o alcoholes minerales para las pinturas a base de aceite.
4. Coloque la manguera de retorno en un recipiente metálico para desecho.
5. Mueva hacia abajo la válvula PRIME/SPRAY (CEBADO/ROCIADO) a su posición PRIME (CEBADO).
6. Fije la presión en PulseClean (PULSADOR DE LIMPIEZA) girando la perilla de control de presión a su posición CLEAN (PULSADOR DE LIMPIEZA) en la zona roja.
7. Encienda la unidad moviendo el interruptor de ON/OFF (ENCENDIDO/APAGADO) a la posición ON (ENCENDIDO).
8. Deje circular el solvente a través de la unidad y purgue la pintura de la manguera de retorno hacia el recipiente metálico para desecho.
9. Apague la unidad moviendo el interruptor de ON/OFF (ENCENDIDO/APAGADO) a la posición OFF (APAGADO).
10. Mueva hacia arriba la válvula PRIME/SPRAY (CEBADO/ROCIADO) a su posición SPRAY (ROCIADO).
11. Encienda la unidad.



Conecte a tierra la pistola apoyándola contra el borde del recipiente de metal mientras elimina el líquido. De lo contrario puede provocar la descarga de electricidad estática, lo cual a su vez puede ocasionar un incendio.



12. Dispare la pistola en el recipiente metálico para desecho hasta que se haya purgado toda la pintura de la manguera y esté saliendo solvente de la pistola.
13. Continúe apretando el gatillo de la pistola rociadora en el recipiente de desecho hasta que el solvente que salga por la pistola esté sin pintura.

NOTA: Para el almacenamiento a largo plazo o en temperaturas frías, haga pasar alcoholes minerales a través del sistema completo.

Para el almacenamiento a corto plazo cuando esté usando pintura látex, haga pasar agua mezclada con Titan Liquid Shield a través del sistema completo (para ver el número de pieza, consulte la sección Accesorios de este manual).

14. Siga el "Procedimiento de alivio de presión" de la sección Operación de este manual.
15. Desenchufe la unidad y almacénela en un área limpia y seca.

IMPORTANTE: No almacene la unidad bajo presión.

Mantenimiento



Antes de proceder, siga el Procedimiento de alivio de presión presentado anteriormente en este manual. Además, siga todas las otras advertencias para reducir el riesgo de una lesión por inyección, lesiones por piezas en movimiento o choque eléctrico. ¡Siempre desenchufe el rociador antes de darle servicio!

Notas generales de reparación y servicio

Se necesitan las herramientas siguientes para reparar el rociador:

| | |
|--------------------------|------------------------------------|
| Destornillador Phillips | Llave hexagonal de 3/8 de pulgada |
| Alicates de punta | Llave hexagonal de 5/16 de pulgada |
| Llave ajustable | Llave hexagonal de 1/4 de pulgada |
| Mazo de goma | Llave hexagonal de 3/16 de pulgada |
| Destornillador de paleta | Llave hexagonal de 5/32 de pulgada |

1. Antes de reparar alguna parte del rociador, lea minuciosamente las instrucciones, incluidas todas las advertencias.

IMPORTANTE: Nunca tire del cable para desconectarlo. Al hacerlo podría soltarse el conector del cable.

2. Pruebe su reparación antes de usar rociador normalmente para verificar que se haya resuelto el problema. Si el rociador no funciona bien, revise el procedimiento de reparación para determinar si todo se ha realizado en forma correcta. Consulte los cuadros de Solución de problemas para ayudar a identificar otros problemas posibles.
3. Compruebe que el área de servicio esté bien ventilada en caso de que se estén utilizando solventes durante la limpieza. Al hacer el mantenimiento siempre use gafas de protección. Puede que se necesite equipo protector adicional dependiendo del tipo de solvente de limpieza. Siempre pida recomendaciones al proveedor de solventes.
4. Si tiene otras preguntas referentes al rociador Titan, llame a Titan:

| | |
|---|----------------|
| Servicio al cliente (EE.UU.) | 1-800-526-5362 |
| Fax | 1-800-528-4826 |
| Servicio al cliente (Canadá) | 1-800-565-8665 |
| Fax | 1-905-856-8496 |
| Servicio al cliente (Internacional) | 1-201-405-7520 |
| Fax | 1-201-405-7449 |

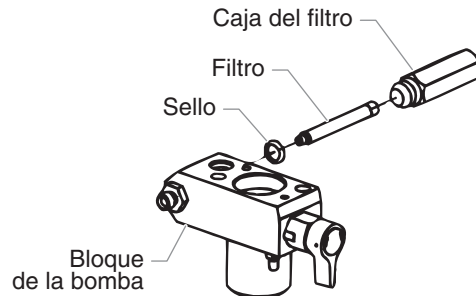
Reemplazo de los filtros

Filtro de la bomba

1. Suelte y retire la caja del filtro.
2. Girando en el sentido horario, destornille el filtro del bloque de la bomba.

NOTA: Con los roscados hacia la izquierda se debe girar el filtro en el sentido horario para retirarlo. Si el filtro se rompe en el bloque de la bomba, use un tornillo de madera pequeño para retirarlo.

3. Inspeccione el sello. Según sea la inspección, limpie o reemplace el sello.
4. Girando en el sentido antihorario, atornille el filtro nuevo o limpio en el bloque de la bomba.
5. Deslice la caja del filtro sobre el filtro y atorníllela en el bloque de la bomba hasta que quede firme.

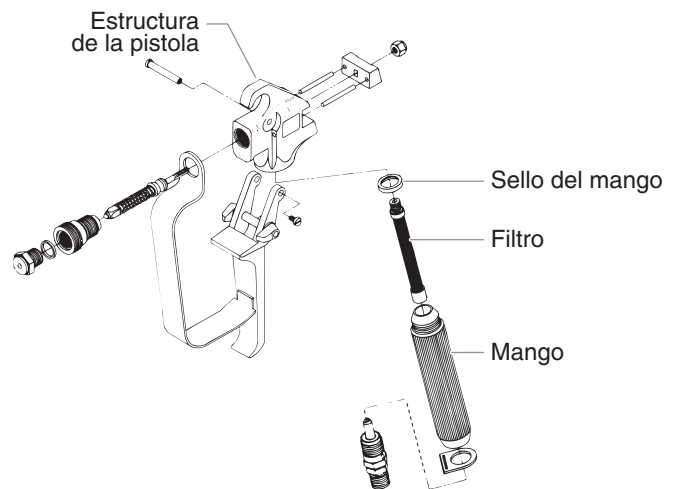


Filtro de la pistola

1. Mueva el seguro del gatillo de la pistola a la posición liberada.
2. Suelte y retire el mango de la pistola.
3. Girando en el sentido horario, destornille el filtro de la pistola.

NOTA: Con los roscados hacia la izquierda se debe girar el filtro en el sentido horario para retirarlo.

4. Girando en el sentido antihorario, atornille el filtro nuevo o limpio en la pistola.
5. Revise que el sello del mango esté en posición y atornille el mango en la pistola hasta que quede firme.
6. Mueva el seguro del gatillo de la pistola a la posición bloqueada.



NOTA: Para ver mayores detalles, información de números de pieza y dibujos de montaje a mayor escala, consulte el manual del propietario de la pistola sin aire profesional LX-80 (Núm. 313-012).

Reemplazo del motor

1. Desenchufe la unidad.
2. Suelte y retire los cuatro tornillos de la cubierta del motor. Quite la cubierta del motor.
3. Desconecte los alambres negro y rojo provenientes de la caja de la bomba. Desconecte los alambres negro y rojo de los condensadores. Desconecte los alambres negro y rojo del motor.
4. Retire los condensadores de su soporte de montaje.
5. Suelte y retire los cuatro tornillos de montaje del motor.
6. Extraiga el motor de la caja de la bomba.

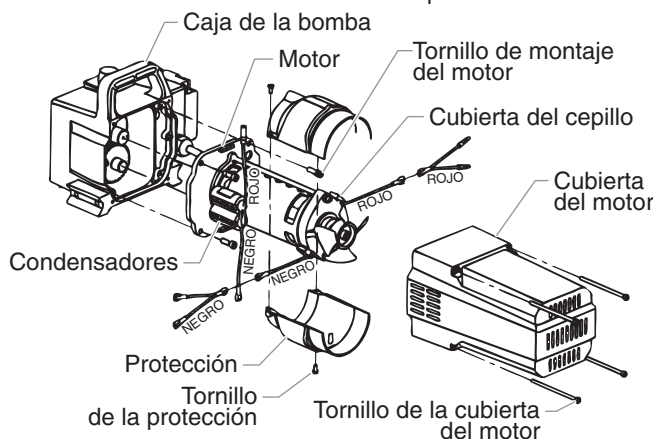
NOTA: Si el motor no se libera de la caja de la bomba:

- Retire la placa de cubierta frontal.
- Usando un mazo de goma, golpee cuidadosamente en la parte frontal del cigüeñal del motor que se extiende a través de la vara conectora.

7. Una vez retirado el motor, inspeccione para ver si hay daños o desgaste excesivo de los engranajes en la caja de la bomba. Si es necesario reemplace los engranajes.
8. Instale el motor nuevo en la caja de la bomba.

NOTA: Gire manualmente el ventilador del motor hasta que se enganchen los engranajes del inducido con el engranaje en la caja de la bomba.

9. Asegure el motor con sus cuatro tornillos de montaje.
10. Presione los condensadores en su soporte en el motor nuevo.
11. Vuelva a conectar los alambres (consulte el esquema eléctrico en la sección de la Lista de piezas de este manual).
12. Coloque la cubierta del motor. Asegure la cubierta del motor con los cuatro tornillos correspondientes.



Reemplazo de los cepillos del motor

Realice este procedimiento usando el Juego de cepillos del motor N/P 704-276.

1. Suelte y retire los cuatro tornillos de la cubierta del motor. Quite la cubierta del motor.
2. Suelte y retire los dos tornillos de la protección. Retire la protección.
3. Usando un destornillador pequeño, apalanque para extraer las dos cubiertas plásticas de los cepillos.
4. Desconecte los alambres negro y rojo de los cepillos del motor. Retire los cepillos del motor.
5. Instale los nuevos cepillos del motor y encaje a presión las cubiertas plásticas de los cepillos.
6. Vuelva a conectar los alambres negro y rojo de los cepillos del motor (consulte el esquema eléctrico en la sección de la Lista de piezas de este manual).
7. Ponga la protección sobre el ventilador del motor. Asegure la protección con los dos tornillos correspondientes.
8. Coloque la cubierta del motor. Asegure la cubierta del motor con los cuatro tornillos correspondientes.

Reemplazo de los engranajes

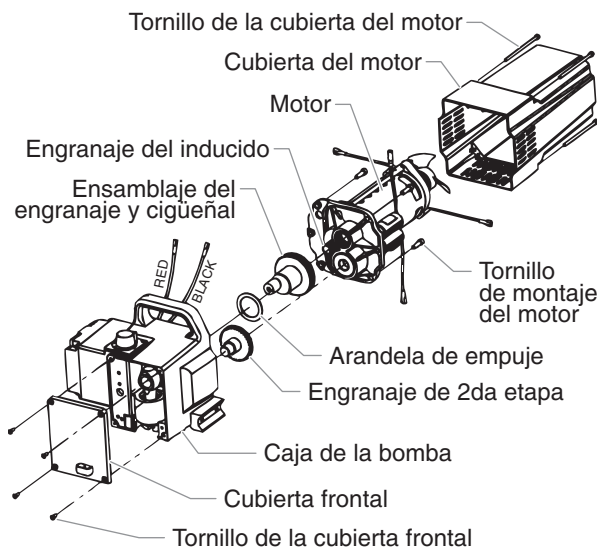
1. Suelte y retire los cuatro tornillos de la cubierta del motor. Quite la cubierta del motor.
2. Desconecte los alambres negro y rojo provenientes de la caja de la bomba.
3. Suelte y retire los cuatro tornillos de montaje del motor.
4. Extraiga el motor de la caja de la bomba.

NOTA: Si el motor no se libera de la caja de la bomba:

- Retire la placa de cubierta frontal.
- Usando un mazo de goma, golpee cuidadosamente en la parte frontal del cigüeñal del motor que se extiende a través de la vara conectora.

5. Inspeccione para ver si hay daños o desgaste excesivo en el engranaje del inducido en el extremo del motor. Si este engranaje está completamente desgastado, reemplace el motor completo.
6. Retire e inspeccione para ver si hay daños o desgaste excesivo en el engranaje de la 2da etapa. Reemplace según sea necesario.
7. Retire e inspeccione para ver si hay daños o desgaste excesivo en el ensamblaje de engranaje y cigüeñal. Reemplace según sea necesario.
8. Vuelva a ensamblar la bomba invirtiendo los pasos anteriores. Durante el reensamblaje, fíjese que las arandelas de empuje estén en su lugar.

NOTA: Llene la caja de engranajes con cinco onzas de Lubriplate (N/P 314-171).



Reemplazo del transductor

1. Suelte y retire los cuatro tornillos de la cubierta frontal. Desmonte la cubierta delantera.
2. Detenga el rociador en la parte de abajo de la carrera de tal modo que el pistón esté en su posición más baja. Apague y desenchufe el rociador.

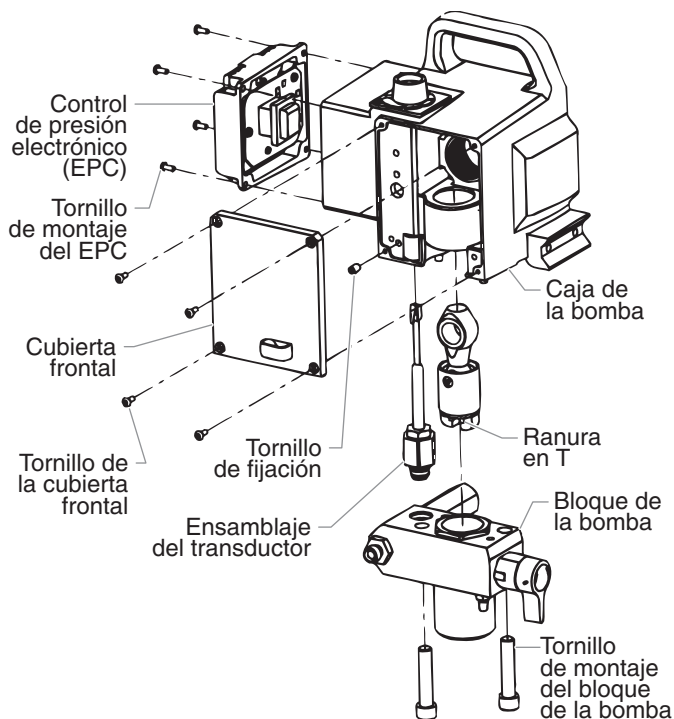


Antes de proceder, siga el Procedimiento de alivio de presión presentado anteriormente en este manual. Además, siga todas las otras advertencias para reducir el riesgo de una lesión por inyección, lesiones por piezas en movimiento o choque eléctrico. ¡Siempre desenchufe el rociador antes de darle servicio!

3. Incline la bomba hacia atrás para ingresar más fácilmente a la sección de líquido.

- Usando una llave hexagonal de 3/8 de pulgada, suelte y retire los dos tornillos de montaje del bloque de la bomba.
- Baje el bloque de la bomba aproximadamente 1/2 pulgadas de la caja de la bomba para dejar paso al transductor.
- Deslice el bloque de la bomba y la vara del pistón hacia adelante hasta que la vara del pistón quede fuera de la ranura en T de la vara conectora.
- Suelte y retire los cuatro tornillos de montaje del control de presión electrónico (EPC).
- Eche atrás el EPC para ingresar al enchufe del transductor.
- Desenchufe la conexión del transductor de la ubicación "JP3" de la placa EPC (consulte el esquema eléctrico en la sección de la Lista de piezas de este manual).
- Usando una llave hexagonal de 3/8 de pulgada, suelte y retire el tornillo de fijación de la parte inferior de la caja de la bomba.
- Extraiga el ensamblaje del transductor por la parte inferior de la caja de la bomba.
- Instale el ensamblaje del transductor nuevo en la caja de la bomba.
- Atornille el tornillo de fijación en la caja de la bomba y apriete firmemente.
- Enchufe la conexión del transductor en la ubicación "JP3" de la placa EPC (consulte el esquema eléctrico en la sección de la Lista de piezas de este manual).
- Vuelva a ensamblar la bomba invirtiendo los pasos del 1 al 8.

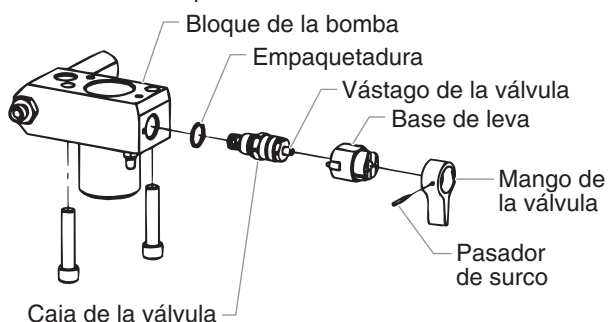
IMPORTANTE: Revise que el transductor esté alineado correctamente con el agujero en el bloque de la bomba durante el reensamblaje. El alineamiento erróneo puede causar daños a la empaquetadura del transductor.



Reemplazo de la válvula de CEBADO/ROCIADO

Usando el juego de reemplazo de la válvula CEBADO/ROCIADO N/P 700-258 realice el procedimiento a continuación.

- Empuje el pasador de surco fuera del mango de la válvula.
- Retire el mango de la válvula y la base de leva.
- Con una llave, suelte y retire la caja de la válvula.
- Fíjese que la empaquetadura esté en su sitio y atornille la caja de la válvula nueva en el bloque de la bomba. Apriete firmemente con la llave.
- Coloque la base de leva sobre el ensamblaje de la caja de la válvula. Lubrique la base de leva con grasa y alinee la leva con el bloque de la bomba.
- Alinee el agujero del vástago de la válvula con el agujero del mango de la válvula.
- Inserte el pasador de surco en el mango de la válvula y a través del vástago de la válvula para asegurar el mango de la misma en posición.



Servicio a la sección de líquidos

Use los procedimientos siguientes para dar servicio a las válvulas y volver a poner empaquetaduras en la sección de líquidos. Realice los pasos a continuación antes de ejecutar todo mantenimiento en la sección de líquido.

- Suelte y retire los cuatro tornillos de la cubierta frontal. Desmonte la cubierta delantera.
- Detenga el rociador en la parte de abajo de la carrera de tal modo que el pistón esté en su posición más baja. Apague y desenchufe el rociador.

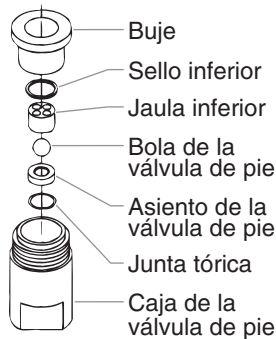


Antes de proceder, siga el Procedimiento de alivio de presión presentado anteriormente en este manual. Además, siga todas las otras advertencias para reducir el riesgo de una lesión por inyección, lesiones por piezas en movimiento o choque eléctrico. ¡Siempre desenchufe el rociador antes de darle servicio!

- Destornille el ensamblaje de la manguera de retorno del bloque de la bomba.
- Retire el soporte de retención que sostiene el juego de succión en la válvula de pie. Extraiga el juego de succión de la válvula de pie.
- Incline la bomba hacia atrás para ingresar más fácilmente a la sección de líquido.

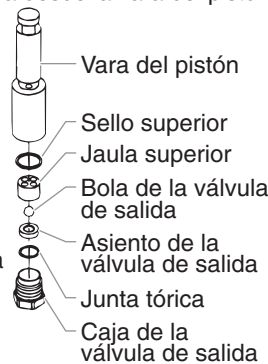
Servicio a las válvulas

El diseño de la sección de líquido de Titan permite el acceso a la válvula de pie y su asiento así como también a la válvula de salida y su asiento sin necesidad de desmontar completamente la sección de líquido. Es posible que las válvulas no se asienten correctamente debido a residuos atrapados en el asiento de la válvula de pie o en la válvula de salida. Use las instrucciones a continuación para limpiar las válvulas e invertir o reemplazar los asientos.



1. Con una llave, suelte y retire la caja de la válvula de pie del bloque de la bomba.
2. Limpie todo residuo de la caja de la válvula de pie y examine la caja y el asiento de la misma. Si el asiento está dañado, inviértalo o reemplácelo.
3. Usando una llave hexagonal de 3/8 de pulgada, suelte y retire la caja de la válvula de salida desde la vara del pistón.

NOTA: Siempre dé servicio a la válvula de salida con la vara del pistón conectada a la bomba. Esto evitará que gire la vara del pistón durante el desmontaje de la válvula de salida.

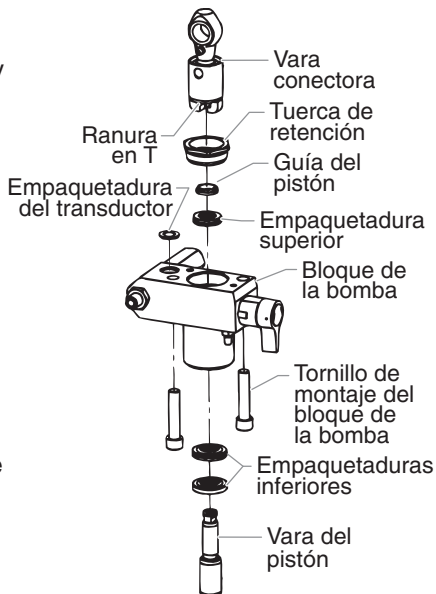


4. Limpie los residuos y examine la caja de la válvula y el asiento. Si el asiento está dañado, inviértalo o reemplácelo.
5. Retire, limpie e inspeccione la jaula superior y la bola superior. Reemplácelas si están gastadas o dañadas.
6. Vuelva a montar las válvulas invirtiendo los pasos anteriores.

Reemplazo de empaquetaduras de la sección de líquidos

NOTA: Las empaquetaduras instaladas por la fábrica son de color negro. Las empaquetaduras de repuesto del juego de recambio son blancas.

1. Quite los ensamblajes de la válvula de pie y de salida usando los pasos del procedimiento "Servicio de las válvulas" anterior.
2. Usando una llave hexagonal de 3/8 de pulgada, suelte y retire los dos tornillos de montaje del bloque de la bomba.
3. Baje el bloque de la bomba aproximadamente 1/2 pulgadas de la caja de la bomba.
4. Deslice el bloque de la bomba y la vara del pistón hacia adelante hasta que la vara del pistón quede fuera de la ranura en T de la vara conectora.
5. Deslice la vara del pistón a través de la parte inferior del bloque de la bomba.

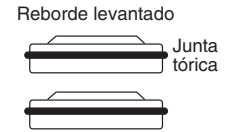


6. Suelte y quite la tuerca de retención y la guía del pistón del bloque de la bomba.
7. Retire las empaquetaduras superior e inferior del bloque de la bomba.
8. Limpie el bloque de la bomba e instale las empaquetaduras nuevas superior e inferior. Consulte la ilustración a continuación para ver la orientación correcta de las empaquetaduras.

Instale la empaquetadura superior con el reborde levantado y la junta tórica apuntando hacia abajo.



Instale las empaquetaduras inferiores con el reborde levantado y la junta tórica apuntando hacia arriba.



9. Inspeccione la vara del pistón en busca de desgaste y cámbiela si es necesario.
10. Vuelva a montar el ensamblaje de la válvula de salida en la vara del pistón. Apriete la caja de la válvula de salida con una llave hasta que quede firme.

NOTA: Use la ranura en T de la vara conectora para sostener en su sitio la vara del pistón mientras asegura la caja de la válvula de salida.

Nunca use una llave en el pistón mismo. Esto podría dañar el pistón y causar fugas.

11. Inserte la guía del pistón en la tuerca de retención. Atornille la tuerca de retención en el bloque de la bomba hasta que quede firme manualmente.
12. Deslice la herramienta de la guía del pistón (incluida en el juego para reemplazar empaquetaduras) sobre la parte superior de la vara del pistón a través de la parte inferior del bloque de la bomba. Usando un mazo de goma, golpee la parte inferior de la vara del pistón ligeramente hasta que ésta quede en posición dentro del bloque de la bomba.

NOTA: Recubra la herramienta de la guía del pistón y la vara del pistón con grasa antes de insertarlas en el bloque de la bomba.

13. Usando una llave, apriete la tuerca de retención firmemente.
14. Deslice la parte superior de la vara del pistón dentro de la ranura en T en la vara conectora.
15. Ponga el bloque de la bomba debajo de la caja de la bomba y empújelo hacia arriba hasta que descance contra la caja de la bomba.

IMPORTANTE: Revise que el transductor esté alineado correctamente con el agujero en el bloque de la bomba durante el reensamblaje. El alineamiento erróneo puede causar daños a la empaquetadura del transductor.

16. Instale los tornillos de montaje del bloque de la bomba a través del bloque de la bomba y dentro de la caja de la bomba. Apriete firmemente.
17. Vuelva a montar el ensamblaje de la válvula de pie en el bloque de la bomba.
18. Inserte el codo del ensamblaje del juego de succión dentro de la parte inferior de la válvula de pie. Ponga el soporte de retención en la válvula de pie para asegurar el conjunto de succión.
19. Instale la manguera de retorno en el bloque de la bomba y apriete firmemente.
20. Ponga la cubierta frontal de la caja de la bomba y asegúrela en posición usando los cuatro tornillos de la cubierta frontal.
21. Encienda el rociador siguiendo el procedimiento de la sección "Operación" de este manual y revise si hay fugas.

NOTA: Se ofrece el juego para reemplazar empaquetaduras N/P 730-401. Para obtener óptimos resultados use todas las piezas suministradas en este juego.

Solución de problemas

Rociador sin aire

Problema

No funciona el motor eléctrico

Causa

1. Está desenchufada la unidad o se fundió un fusible del circuito
2. Ajuste de presión demasiado bajo
3. Los cepillos del motor están desgastados
4. El motor eléctrico está quemado
5. Interruptor defectuoso
6. Disyuntor disparado en el rociador

Solución

1. Revise
2. Aumente
3. Reemplace
4. Reemplace
5. Reemplace
6. Reajuste el disyuntor

No se ceba el rociador

1. Hay aire en la línea
2. Presión insuficiente
3. Embrague gastado o dañado (modelos a gasolina)

1. Verifique la junta tórica del tubo de sifón o deje circular la pintura en la posición de cebado
2. Aumente la presión
3. Reemplace

Insuficiente flujo de material

1. No hay pintura
2. El sifón del resumidero está obstruido
3. Rociador/filtro de la pistola obstruido
4. El rociador no se ceba, el material es demasiado pesado
5. El motor no está afinado debidamente (gasolina)
6. Embrague desgastado (modelos a gasolina)

1. Verifique el suministro
2. Limpie
3. Limpie y reemplace
4. Aclare el material
5. Afine el motor
6. Dé servicio

El rociador no mantiene la presión

1. Fuga de aire en el sistema
2. Fuga de aire en el tubo de sifón
3. No está asentada la válvula de entrada
4. Empaquetaduras desgastadas
5. Válvulas de bola sucias o desgastadas
6. Asientos de válvula desgastados
7. Válvula de cebado desgastada

1. Apriete las conexiones
2. Apriete, verifique si hay fugas
3. Dé servicio o limpie
4. Reemplace
5. Limpie o reemplace
6. Invierta
7. Reemplace

No hay presión suficiente

1. Ajuste de presión demasiado bajo
2. Filtros obstruidos
3. Punta rociadora demasiado grande o desgastada
4. RPM del motor demasiado bajas (gasolina)

1. Aumente
2. Limpie o reemplace
3. Cambie o reemplace
4. Aumente la aceleración

Impulso excesivo en la pistola del rociador

1. Tipo de manguera erróneo
2. Punta rociadora demasiado grande o desgastada
3. Presión excesiva

1. Reemplace por una manguera de alta presión con trenzado de nilón de 50 pies conectada a tierra
2. Cambie o reemplace
3. Disminuya la presión y la velocidad del motor

La pintura se fuga hacia el recipiente de aceite

1. Empaquetaduras desgastadas

1. Reemplace

Pistola sin aire

Problema

La pistola escupe

Causa

1. Hay aire en el sistema
2. Pistola sucia
3. Ensamblaje de la aguja desajustado
4. Asiento roto o picado

Solución

1. Inspeccione las conexiones en busca de fugas de aire
2. Desmonte y limpie
3. Inspeccione y ajuste
4. Inspeccione y reemplace

No se apaga la pistola

1. Aguja y asiento desgastados o rotos
2. Ensamblaje de la aguja desajustado
3. Pistola sucia

1. Reemplace
2. Ajuste
3. Limpie

La pistola no rocía

1. No hay pintura
2. Filtro o punta obstruido
3. Aguja rota en la pistola

1. Verifique el suministro de líquido
2. Limpie
3. Reemplace

Solución de problemas

Patrones de rociado

Problema

Residuos de pintura

Causa

1. Paso de líquido incorrecto
2. El líquido no se está atomizando
3. Velocidad insuficiente
4. Material demasiado cohesivo
5. Punta desgastada más allá de la capacidad del rociador

Solución

1. Aumente la presión
2. Cambie a una punta más pequeña
3. Limpie la pistola y los filtros de bomba
4. Reduzca la viscosidad
5. Reemplace

Patrón con acumulación en el centro

1. Punta gastada
2. La punta puede estar picada

1. Reemplace
2. Reemplace

Patrón distorsionado

1. Punta obstruida, gastada o picada

1. Limpie o reemplace

Patrón que se expande y contrae (impulso excesivo)

1. Fuga en el tubo de succión
2. No hay suficiente manguera
3. Punta demasiado grande o desgastada

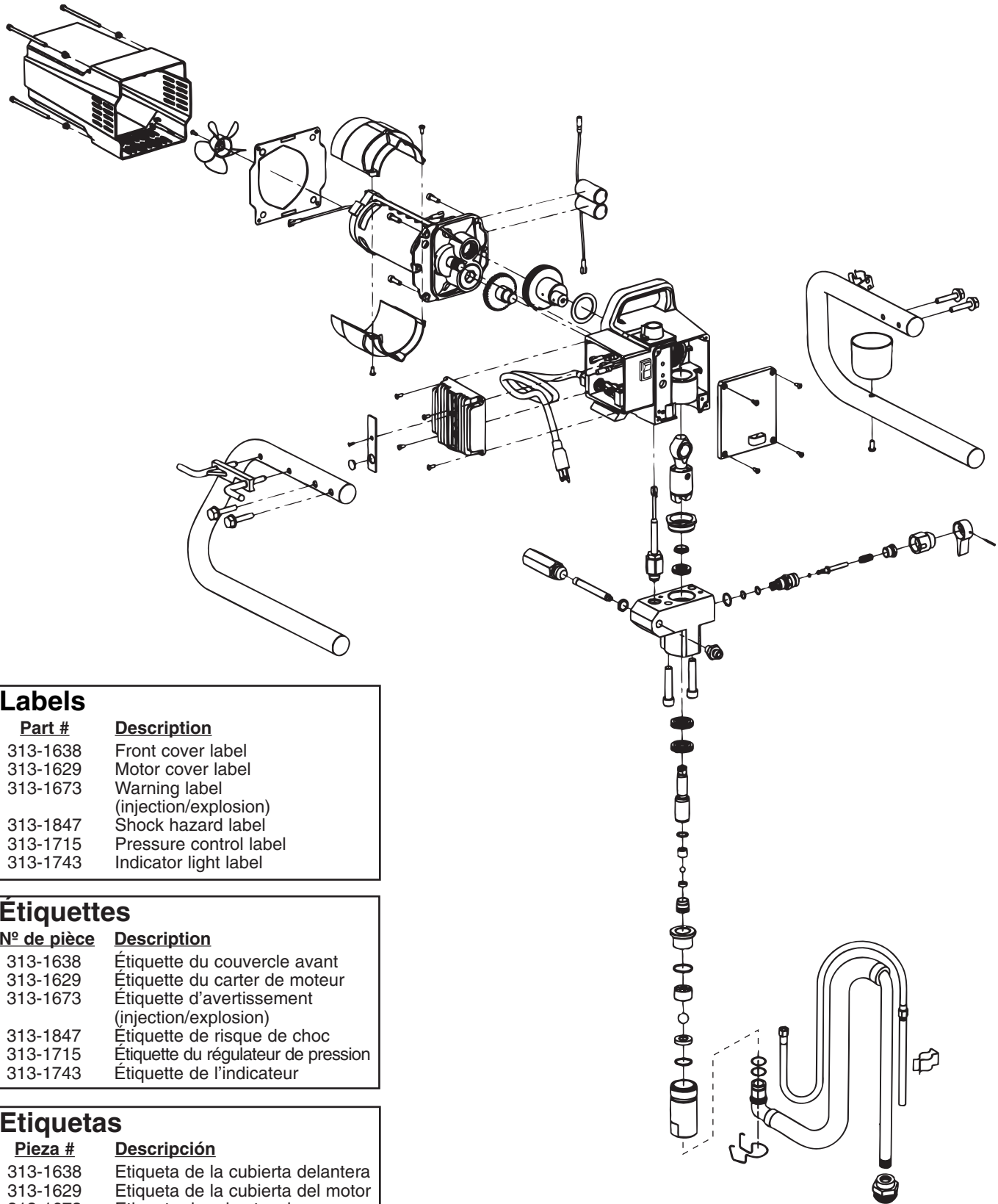
1. Apriete
2. Use una manguera de alta presión de 1/2" con un largo mínimo de 50 pies (15 metros)
3. Reemplace por un punta nueva o más pequeña

Patentes

Estos productos están protegidos por una de las siguientes patentes (U.S.A.):

4,500,119 4,768,929

Parts List • Listes de pièces • Lista de piezas
Main Assembly • Vue d'ensemble • Ensamblaje principal



Labels

| Part # | Description |
|----------|-------------------------------------|
| 313-1638 | Front cover label |
| 313-1629 | Motor cover label |
| 313-1673 | Warning label (injection/explosion) |
| 313-1847 | Shock hazard label |
| 313-1715 | Pressure control label |
| 313-1743 | Indicator light label |

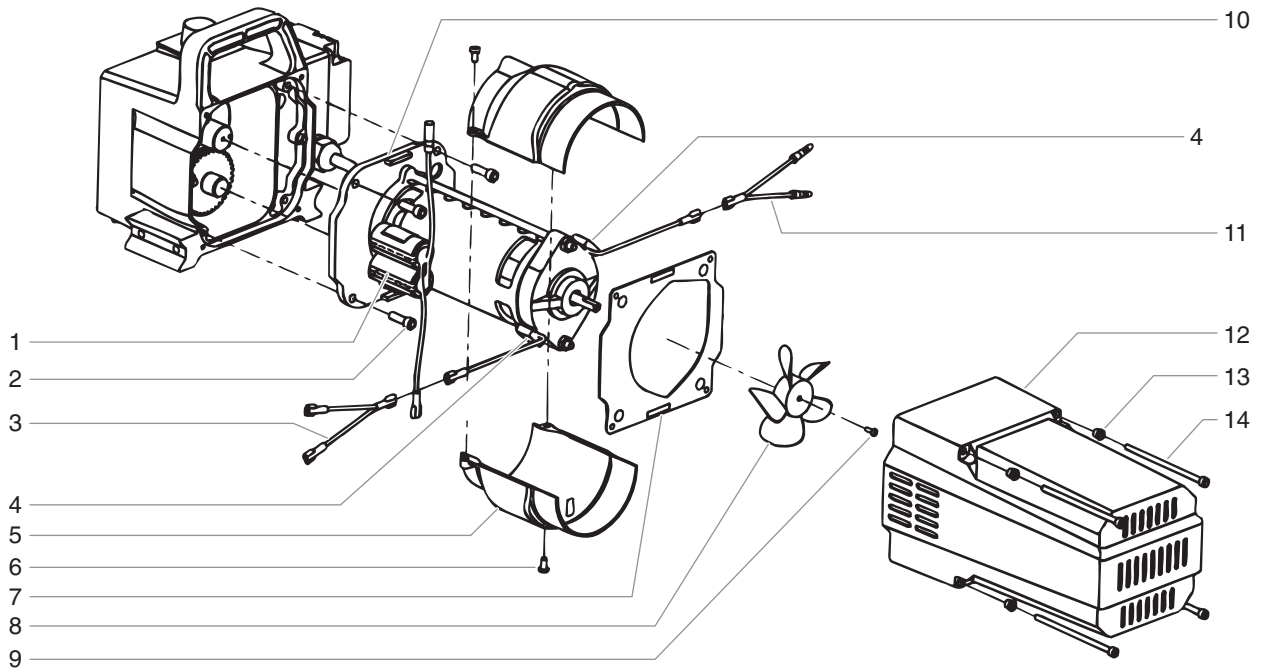
Étiquettes

| N° de pièce | Description |
|-------------|---|
| 313-1638 | Étiquette du couvercle avant |
| 313-1629 | Étiquette du carter de moteur |
| 313-1673 | Étiquette d'avertissement (injection/explosion) |
| 313-1847 | Étiquette de risque de choc |
| 313-1715 | Étiquette du régulateur de pression |
| 313-1743 | Étiquette de l'indicateur |

Etiquetas

| Pieza # | Descripción |
|----------|---|
| 313-1638 | Etiqueta de la cubierta delantera |
| 313-1629 | Etiqueta de la cubierta del motor |
| 313-1673 | Etiqueta de advertencia (inyección/explosión) |
| 313-1847 | Etiqueta del peligro de choque |
| 313-1715 | Etiqueta de control de presión |
| 313-1743 | Etiqueta de la luz indicadora |

Motor Assembly • Moteur • Ensamblaje del motor



English

| Item | Part # | Description | Quantity | Item | Part # | Description | Quantity |
|------|---------|---|----------|------|---------|--|----------|
| 1 | 704-363 | Capacitor/rectifier kit (includes item 21 on page 41) | 1 | 9 | 854-915 | Screw | 1 |
| 2 | 700-681 | Screw | 4 | 10 | 704-277 | Motor, complete (includes items 1, 5, 6, 8, & 9) | 1 |
| 3 | 704-269 | Y adapter (negative, black) | 1 | 11 | 704-258 | Y adapter (positive, red) | 1 |
| 4 | 704-276 | Brush kit (includes retainer caps) | 1 | 12 | 704-264 | Motor cover w/labels | 1 |
| 5 | 704-285 | Shroud | 2 | 13 | 704-332 | Grommet | 4 |
| 6 | 704-322 | Shroud screw | 2 | 14 | 704-181 | Screw | 4 |
| 7 | 704-331 | Gasket | 1 | 15 | 770-099 | Tie wrap (not shown) | 1 |
| 8 | 704-250 | Motor fan | 1 | 16 | 314-991 | Tape (not shown) | 1 |

Français

| Article | N° de pièce | Description | Quantité | Article | N° de pièce | Description | Quantité |
|---------|-------------|---|----------|---------|-------------|---|----------|
| 1 | 704-363 | Ensemble condensateur/rectificateur (comprend le article no 21 indiqués à la page 41) | 1 | 8 | 704-250 | Ventilateur de moteur | 1 |
| 2 | 700-681 | Vis | 4 | 9 | 854-915 | Vis | 1 |
| 3 | 704-269 | Adaptateur en Y (négatif, noir) | 1 | 10 | 704-277 | Moteur, complet (articles 1, 5, 6, 8 à 9) | 1 |
| 4 | 704-276 | Trousse de remplacement des balais (avec capuchons de retenue) | 1 | 11 | 704-258 | Adaptateur en Y (positif, rouge) | 1 |
| 5 | 704-285 | Coquille | 2 | 12 | 704-264 | Carter de moteur, avec étiquettes | 1 |
| 6 | 704-322 | Vis de coquille | 2 | 13 | 704-332 | Boutonnière | 4 |
| 7 | 704-331 | Joint d'étanchéité | 1 | 14 | 704-181 | Vis | 4 |
| | | | | 15 | 770-099 | Cord d'amarrage (non illustré) | 1 |
| | | | | 16 | 314-991 | Bande (non illustré) | 1 |

Español

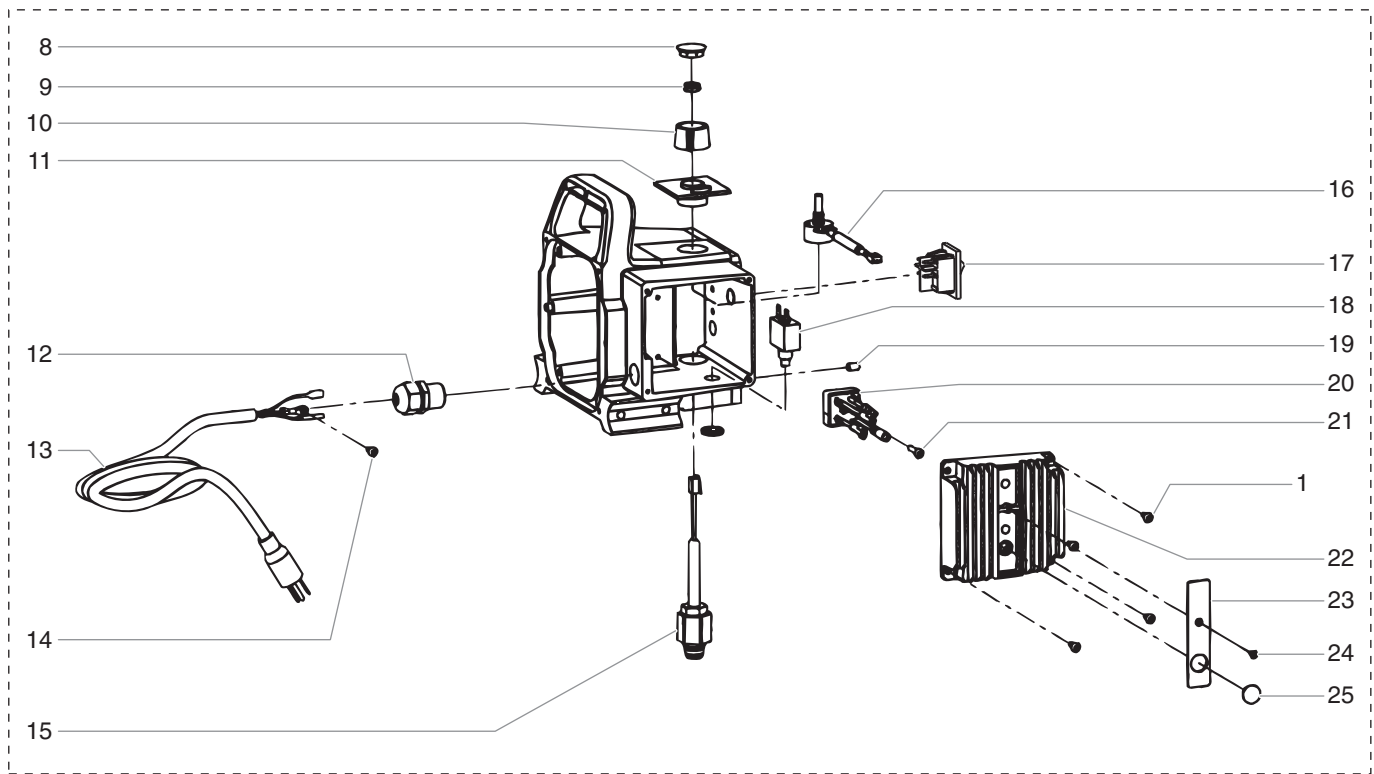
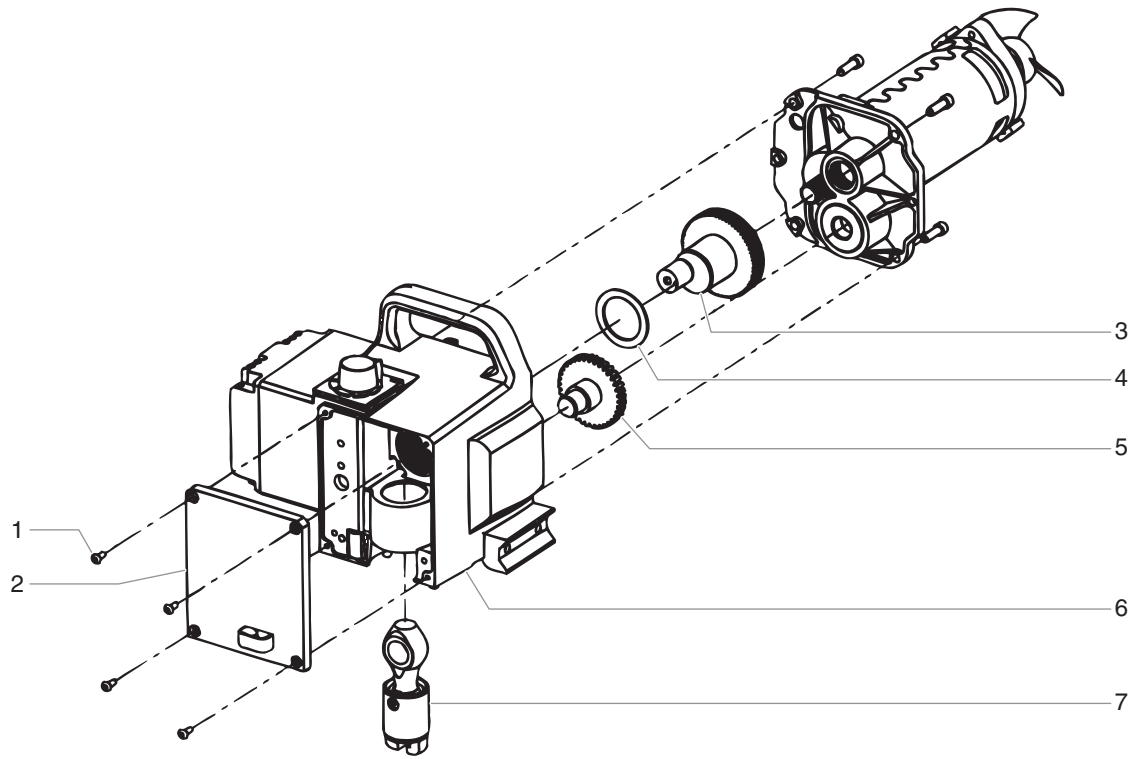
| Artículo | Pieza # | Descripción | Cantidad | Artículo | Pieza # | Descripción | Cantidad |
|----------|---------|---|----------|----------|---------|---|----------|
| 1 | 704-363 | Paquete de condensador y rectificador (incluye artículo 21 en la página 41) | 1 | 9 | 854-915 | Tornillo | 1 |
| 2 | 700-681 | Tornillo | 4 | 10 | 704-277 | Motor, completo (incluye artículos 1, 5, 6, 8, y 9) | 1 |
| 3 | 704-269 | Adaptador en Y (negativo, negro) | 1 | 11 | 704-258 | Adaptador en Y (positivo, rojo) | 1 |
| 4 | 704-276 | Juego de cepillos (incluye tapas de retención) | 1 | 12 | 704-264 | Cubierta del motor con etiquetas | 1 |
| 5 | 704-285 | Protección | 2 | 13 | 704-332 | Ojal | 4 |
| 6 | 704-322 | Tornillo de la protección | 2 | 14 | 704-181 | Tornillo | 4 |
| 7 | 704-331 | Empaquetadura | 1 | 15 | 770-099 | Amarra (no se muestra) | 1 |
| 8 | 704-250 | Ventilador del motor | 1 | 16 | 314-991 | Cinta (no se muestra) | 1 |

NOTE: All electrical work should be performed by an authorized service center.

NOTE: Tous les travaux d'électricité doivent être effectués par le personnel d'un centre de service autorisé.

NOTE: Todo trabajo eléctrico debe realizarlo un centro de servicio autorizado.

Gear Box Assembly • Boîte d'engrenages • Ensamblaje de la caja de engranajes



English

| Item | Part # | Description | Quantity | Item | Part # | Description | Quantity |
|------|---------|--------------------------------|----------|------|---------|--|----------|
| 1 | 700-139 | Screw..... | 8 | 15 | 704-251 | Transducer assembly | 1 |
| 2 | 704-341 | Front cover w/label | 1 | 16 | 700-158 | Potentiometer | 1 |
| 3 | 704-173 | Crankshaft/gear assembly | 1 | 17 | 704-380 | ON/OFF switch | 1 |
| 4 | 704-174 | Thrust washer..... | 1 | 18 | 704-211 | Circuit breaker | 1 |
| 5 | 704-176 | 2nd stage gear..... | 1 | 19 | 710-127 | Set screw | 1 |
| 6 | 704-172 | Pump housing..... | 1 | 20 | 704-363 | Capacitor/rectifier kit (includes item 21) | 1 |
| 7 | 700-735 | Connecting rod | 1 | 21 | 704-323 | Screw..... | 1 |
| 8 | 700-175 | Cap | 1 | 22 | 704-278 | Electronic pressure control complete w/cover (includes items 23–25) | 1 |
| 9 | 700-176 | Seal..... | 1 | 23 | 704-279 | LED cover | 1 |
| 10 | 700-159 | Pressure control knob..... | 1 | 24 | 704-282 | Screw..... | 1 |
| 11 | 704-303 | Potentiometer mount | 1 | 25 | 704-281 | Port plug | 1 |
| 12 | 765-063 | Strain relief..... | 1 | | | | |
| 13 | 765-054 | Power cord..... | 1 | | | | |
| 14 | 704-229 | Screw..... | 1 | | | | |

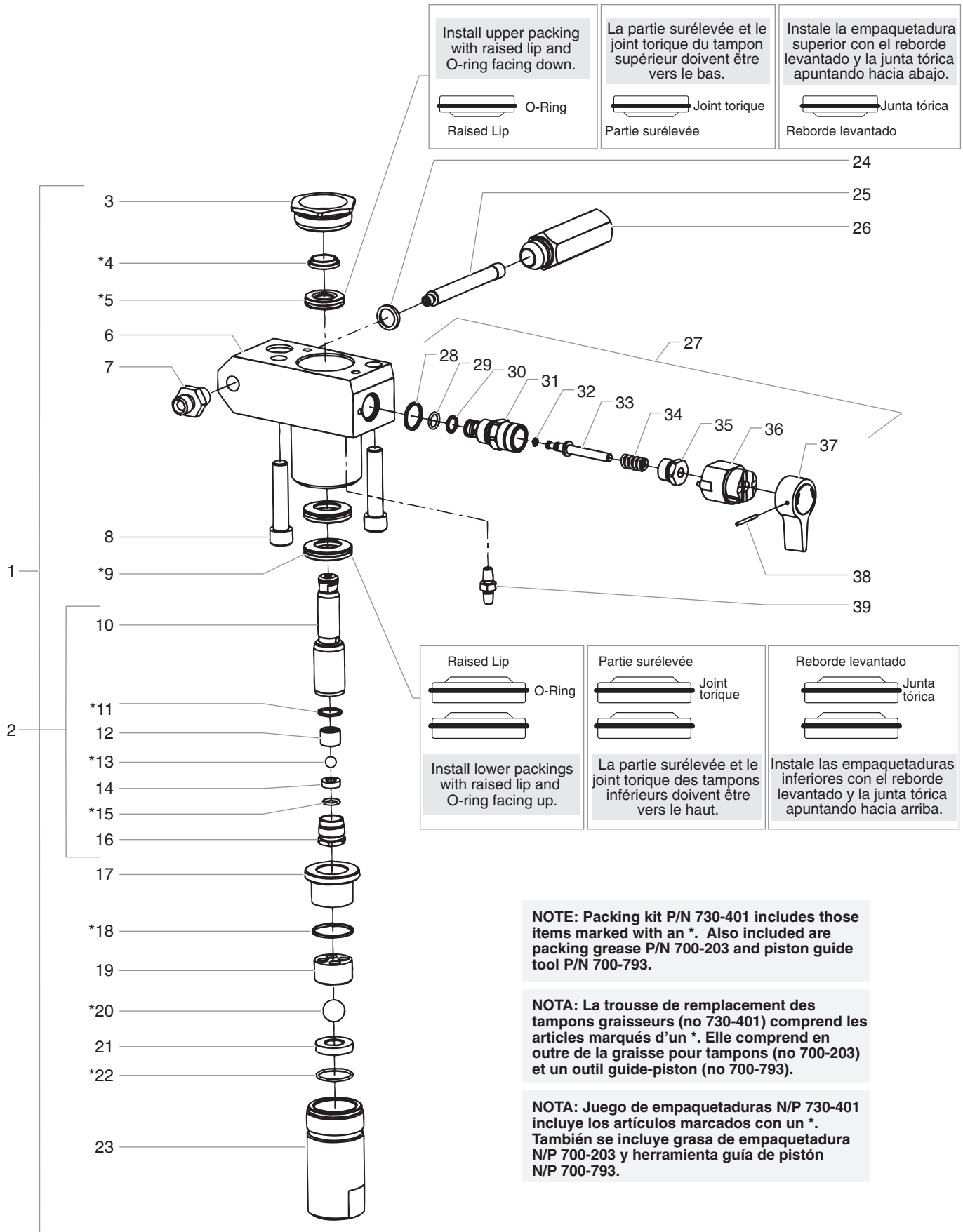
Français

| Article | N° de pièce | Description | Quantité | Article | N° de pièce | Description | Quantité |
|---------|-------------|--|----------|---------|-------------|--|----------|
| 1 | 700-139 | Vis..... | 8 | 15 | 704-251 | Transducteur | 1 |
| 2 | 704-341 | Couvercle avant, avec étiquette | 1 | 16 | 700-158 | Potentiomètre | 1 |
| 3 | 704-173 | Ensemble vilebrequin/engrenages | 1 | 17 | 704-380 | Commutateur | 1 |
| 4 | 704-174 | Rondelle de butée | 1 | 18 | 704-211 | Disjoncteur..... | 1 |
| 5 | 704-176 | Second embrayage..... | 1 | 19 | 710-127 | Vis de fixation | 1 |
| 6 | 704-172 | Logement de pompe..... | 1 | 20 | 704-363 | Ensemble condensateur/rectificateur (comprend le article no 21)..... | 1 |
| 7 | 700-735 | Bielle | 1 | 21 | 704-323 | Vis | 1 |
| 8 | 700-175 | Capuchon | 1 | 22 | 704-278 | Régulateur de pression électronique, complet, avec couvercle (comprend les articles 23 à 25) | 1 |
| 9 | 700-176 | Joint | 1 | 23 | 704-279 | Couvercle des indicateurs | 1 |
| 10 | 700-159 | Bouton de régulation de la pression..... | 1 | 24 | 704-282 | Vis | 1 |
| 11 | 704-303 | Support à potentiomètre | 1 | 25 | 704-281 | Obturateur de port | 1 |
| 12 | 765-063 | Détendeur | 1 | | | | |
| 13 | 765-054 | Cordon d'alimentation..... | 1 | | | | |
| 14 | 704-229 | Vis..... | 1 | | | | |

Español

| Artículo | Pieza # | Descripción | Cantidad | Artículo | Pieza # | Descripción | Cantidad |
|----------|---------|--------------------------------------|----------|----------|---------|---|----------|
| 1 | 700-139 | Tornillo..... | 8 | 15 | 704-251 | Ensamblaje del transductor | 1 |
| 2 | 704-341 | Cubierta delantera con etiqueta..... | 1 | 16 | 700-158 | Potenciómetro | 1 |
| 3 | 704-173 | Ensamblaje cigüeñal/engranaje | 1 | 17 | 704-380 | Interruptor de ENCENDIDO/APAGADO .. | 1 |
| 4 | 704-174 | Arandela de empuje..... | 1 | 18 | 704-211 | Disyuntor | 1 |
| 5 | 704-176 | Engranaje de 2da etapa..... | 1 | 19 | 710-127 | Tornillo de fijación | 1 |
| 6 | 704-172 | Caja de la bomba..... | 1 | 20 | 704-363 | Paquete de condensador y rectificador (incluye artículo 21)..... | 1 |
| 7 | 700-735 | Vara conectora | 1 | 21 | 704-323 | Tornillo | 1 |
| 8 | 700-175 | Tapa | 1 | 22 | 704-278 | Control de presión electrónico completo con cubierta (incluye artículos 23–25) | 1 |
| 9 | 700-176 | Sello | 1 | 23 | 704-279 | Cubierta del diodo emisor de luz | 1 |
| 10 | 700-159 | Perilla de control de presión | 1 | 24 | 704-282 | Tornillo | 1 |
| 11 | 704-303 | Montaje del potenciómetro..... | 1 | 25 | 704-281 | Tapón del orificio | 1 |
| 12 | 765-063 | Alivio de tensión | 1 | | | | |
| 13 | 765-054 | Cable de alimentación | 1 | | | | |
| 14 | 704-229 | Tornillo..... | 1 | | | | |

Fluid Section Assembly • Section des liquides • Ensamblaje de la sección de líquidos



English

| Item | Part # | Description | Quantity |
|------|---------|---|----------|
| 1 | 704-274 | Fluid section (excludes items 24–27) | 1 |
| | 704-185 | Fluid section complete (includes filter and PRIME/SPRAY valve assembly) | |
| 2 | 704-090 | Piston assembly (includes items 10–16) | 1 |
| 3 | 730-508 | Retainer | 1 |
| 4 | 700-587 | Piston guide | 1 |
| 5 | 700-072 | Upper packing with tool | 1 |
| 6 | 704-180 | Pump block | 1 |
| 7 | 227-006 | Fitting | 1 |
| 8 | 704-117 | Screw | 2 |
| 9 | 700-601 | Lower packing | 2 |
| 10 | 704-089 | Piston rod | 1 |
| 11 | 762-111 | Upper seal | 1 |
| 12 | 762-135 | Upper cage | 1 |
| 13 | 762-144 | Outlet valve ball | 1 |
| 14 | 762-134 | Outlet valve seat | 1 |
| 15 | 762-057 | O-ring | 1 |
| 16 | 762-073 | Outlet valve retainer | 1 |
| 17 | 704-289 | Bushing | 1 |
| 18 | 700-821 | Lower seal | 1 |
| 19 | 730-510 | Lower cage | 1 |
| 20 | 762-145 | Foot valve ball | 1 |
| 21 | 762-137 | Foot valve seat | 1 |
| 22 | 762-058 | O-ring | 1 |

| Item | Part # | Description | Quantity |
|------|------------|---|----------|
| 23 | 704-054 | Foot valve housing | 1 |
| 24 | 560-038 | Seal | 1 |
| 25 | 500-200-03 | Filter | 1 |
| 26 | 700-421 | Filter housing | 1 |
| 27 | 700-258 | PRIME/SPRAY valve assembly (includes items 28–38) | 1 |
| 28 | 700-537 | Gasket | 1 |
| 29 | 221-012 | O-Ring, Viton | 1 |
| 30 | 222-012 | O-Ring, PTFE | 1 |
| 31 | 700-246 | Valve housing | 1 |
| 32 | 700-721 | O-Ring, Viton | 1 |
| | 700-897 | O-Ring, PTFE (optional) | 1 |
| 33 | 700-250 | Valve stem | 1 |
| 34 | 700-244 | Spring | 1 |
| 35 | 700-248 | Valve retainer | 1 |
| 36 | 700-252 | Cam base | 1 |
| 37 | 700-697 | Valve handle | 1 |
| 38 | 700-759 | Groove pin | 1 |
| 39 | 704-273 | Fitting | 1 |
| 40 | 762-202 | Packing tool (not shown) | 1 |

NOTE: When using “HOT” solvents, replace Viton o-ring (item 32) with optional PTFE o-ring (700-897). Install with o-ring tool (700-890).

Français

| Article | N° de pièce | Description | Quantité |
|---------|-------------|--|----------|
| 1 | 704-274 | Section des liquides (sans les articles 24 à 27) | 1 |
| | 704-185 | Section des liquides, complète (comprend un filtre et une soupape AMORÇAGE/VAPORISATION) | |
| 2 | 704-090 | Piston (comprend les articles 10 à 16) | 1 |
| 3 | 730-508 | Rondelle de retenue | 1 |
| 4 | 700-587 | Guide-piston | 1 |
| 5 | 700-072 | Tampon graisseur supérieur avec l'outil | 1 |
| 6 | 704-180 | Bloc pompe | 1 |
| 7 | 227-006 | Raccord | 1 |
| 8 | 704-117 | Vis | 2 |
| 9 | 700-601 | Tampon graisseur inférieur | 2 |
| 10 | 704-089 | Tige de piston | 1 |
| 11 | 762-111 | Joint supérieur | 1 |
| 12 | 762-135 | Cage supérieure | 1 |
| 13 | 762-144 | Clapet de soupape de sortie | 1 |
| 14 | 762-134 | Siège de soupape de sortie | 1 |
| 15 | 762-057 | Joint torique | 1 |
| 16 | 762-073 | Rondelle de retenue de soupape de sortie | 1 |
| 17 | 704-289 | Manchon | 1 |
| 18 | 700-821 | Joint inférieur | 1 |
| 19 | 730-510 | Cage inférieure | 1 |
| 20 | 762-145 | Clapet de soupape de retenue | 1 |
| 21 | 762-137 | Siège de soupape de retenue | 1 |
| 22 | 762-058 | Joint torique | 1 |

| Article | N° de pièce | Description | Quantité |
|---------|-------------|---|----------|
| 23 | 704-054 | Logement de soupape de retenue | 1 |
| 24 | 560-038 | Joint | 1 |
| 25 | 500-200-03 | Filtre | 1 |
| 26 | 700-421 | Logement de filtre | 1 |
| 27 | 700-258 | Soupape AMORÇAGE/VAPORISATION (comprend les articles 28 à 38) | 1 |
| 28 | 700-537 | Joint d'étanchéité | 1 |
| 29 | 221-012 | Joint torique, Viton | 1 |
| 30 | 222-012 | Joint torique, PTFE | 1 |
| 31 | 700-246 | Logement de soupape | 1 |
| 32 | 700-721 | Joint torique, Viton | 1 |
| | 700-897 | Joint torique, PTFE (facultatif) | 1 |
| 33 | 700-250 | Tige de soupape | 1 |
| 34 | 700-244 | Ressort | 1 |
| 35 | 700-248 | Rondelle de retenue de soupape | 1 |
| 36 | 700-252 | Base à came | 1 |
| 37 | 700-697 | Manette de soupape | 1 |
| 38 | 700-759 | Goupille | 1 |
| 39 | 704-273 | Raccord | 1 |
| 40 | 762-202 | Outil d'installation des tampons graisseur (non illustré) | 1 |

NOTA: En présence de solvant CHAUDS, remplacer les joints toriques en Viton (article 32) par ceux en PTFE (700-897), installés au moyen de l'outil approprié (700-890).

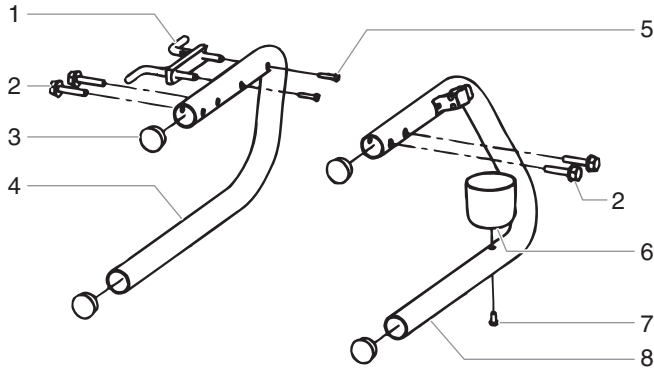
Español

| Artículo | Pieza # | Descripción | Cantidad |
|----------|---------|---|----------|
| 1 | 704-274 | Sección de líquido (excluye los artículos 24–27) | 1 |
| | 704-185 | Sección de líquido completa (incluye el ensamblaje de filtro y válvula de CEBADO/ROCIADO) | |
| 2 | 704-090 | Ensamblaje del pistón (incluye artículos 10–16) | 1 |
| 3 | 730-508 | Retén | 1 |
| 4 | 700-587 | Guía del pistón | 1 |
| 5 | 700-072 | Empaquetadura superior con la herramienta | 1 |
| 6 | 704-180 | Bloque de la bomba | 1 |
| 7 | 227-006 | Conector | 1 |
| 8 | 704-117 | Tornillo | 2 |
| 9 | 700-601 | Empaquetadura inferior | 2 |
| 10 | 704-089 | Vara del pistón | 1 |
| 11 | 762-111 | Sello superior | 1 |
| 12 | 762-135 | Jaula superior | 1 |
| 13 | 762-144 | Bola de la válvula de salida | 1 |
| 14 | 762-134 | Asiento de la válvula de salida | 1 |
| 15 | 762-057 | Junta tórica | 1 |
| 16 | 762-073 | Retén de la válvula de salida | 1 |
| 17 | 704-289 | Buje | 1 |
| 18 | 700-821 | Sello inferior | 1 |
| 19 | 730-510 | Jaula inferior | 1 |
| 20 | 762-145 | Bola de la válvula de pie | 1 |
| 21 | 762-137 | Asiento de la válvula de pie | 1 |
| 22 | 762-058 | Junta tórica | 1 |

| Artículo | Pieza # | Descripción | Cantidad |
|----------|------------|--|----------|
| 23 | 704-054 | Caja de la válvula de pie | 1 |
| 24 | 560-038 | Sello | 1 |
| 25 | 500-200-03 | Filtro | 1 |
| 26 | 700-421 | Caja del filtro | 1 |
| 27 | 700-258 | Ensamblaje de la válvula de CEBADO/ROCIADO (incluye artículos 28 – 38) | 1 |
| 28 | 700-537 | Empaquetadura | 1 |
| 29 | 221-012 | Junta tórica, Viton | 1 |
| 30 | 222-012 | Junta tórica, PTFE | 1 |
| 31 | 700-246 | Caja de la válvula | 1 |
| 32 | 700-721 | Junta tórica, Viton | 1 |
| | 700-897 | Junta tórica, PTFE (opcional) | 1 |
| 33 | 700-250 | Vástago de la válvula | 1 |
| 34 | 700-244 | Resorte | 1 |
| 35 | 700-248 | Retén de la válvula | 1 |
| 36 | 700-252 | Base de leva | 1 |
| 37 | 700-697 | Mango de la válvula | 1 |
| 38 | 700-759 | Pasador de surco | 1 |
| 39 | 704-273 | Conector | 1 |
| 40 | 762-202 | Herramienta para empaquetaduras (no se muestra) | 1 |

NOTA: Cuando se usen solventes “CALIENTES”, cambie la junta tórica de Viton (artículo 32) por la junta tórica opcional de PTFE (700-897). Instale con una herramienta para juntas tóricas (700-890).

**Stand Assembly •
Support •
Ensamblaje de la base**



English

| Item | Part # | Description | Quantity |
|------|----------|--|----------|
| 1 | 700-761 | Cord wrap | 1 |
| 2 | 761-178 | Screw | 4 |
| 3 | 710-199 | Plug | 4 |
| 4 | 704-164 | Leg, left | 1 |
| 5 | 700-642 | Screw | 2 |
| 6 | 700-1041 | Drip cup | 1 |
| 7 | 704-188 | Screw | 1 |
| 8 | 704-156 | Leg, right | 1 |
| 9 | 704-179 | Leg, left, complete (includes items 1, and 3-5) | |
| 10 | 704-178 | Leg, right, complete (includes items 3 and 6-8) | |

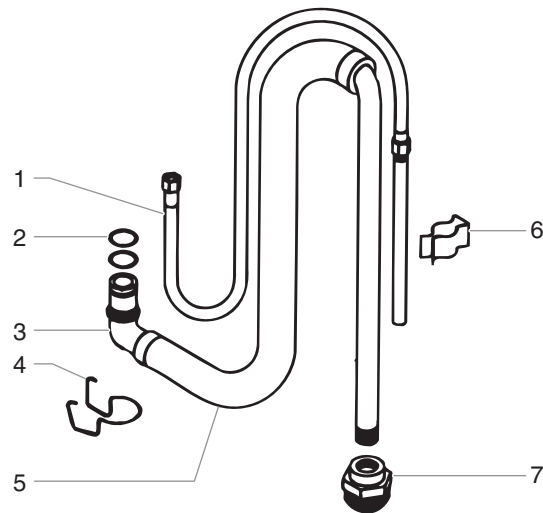
Français

| Article | Nº de pièce | Description | Quantité |
|---------|-------------|---|----------|
| 1 | 700-761 | Embobineur de cordon | 1 |
| 2 | 761-178 | Vis | 4 |
| 3 | 710-199 | Fiche | 4 |
| 4 | 704-164 | Patte, gauche | 1 |
| 5 | 700-642 | Vis | 2 |
| 6 | 700-1041 | Cuvette d'égouttage | 1 |
| 7 | 704-188 | Vis | 1 |
| 8 | 704-156 | Patte, droite | 1 |
| 9 | 704-179 | Patte, gauche, complète (articles 1, et 3 à 5) | |
| 10 | 704-178 | Patte, droite, complète (articles 3, et 6 à 8) | |

Español

| Artículo | Pieza # | Descripción | Cantidad |
|----------|----------|--|----------|
| 1 | 700-761 | Soporte para envolver el cable eléctrico...1 | |
| 2 | 761-178 | Tornillo | 4 |
| 3 | 710-199 | Tapón | 4 |
| 4 | 704-164 | Pata, izquierda | 1 |
| 5 | 700-642 | Tornillo | 2 |
| 6 | 700-1041 | Recipiente de goteo | 1 |
| 7 | 704-188 | Tornillo | 1 |
| 8 | 704-156 | Pata, derecha | 1 |
| 9 | 704-179 | Pata, izquierda, completa (incluye artículos 1 y 3-5) | |
| 10 | 704-178 | Pata, derecha, completa (incluye artículos 3 y 6-8) | |

**Suction Set Assembly •
Bloc d'aspiration •
Ensamblaje del juego de succión
(P/N 704-300)**



English

| Item | Part # | Description | Quantity |
|------|----------|--|----------|
| 1 | 704-263 | Return tube assembly | 1 |
| 2 | 704-121 | O-ring | 2 |
| | 704-109 | O-ring (for hot solvents, optional) | |
| 3 | 700-1024 | Elbow | 1 |
| 4 | 704-127 | Retaining clip | 1 |
| 5 | 700-1023 | Siphon hose (includes items 2-4, and 7) | 1 |
| 6 | 755-135 | Clip | 1 |
| 7 | 700-805 | Inlet screen | 1 |

Français

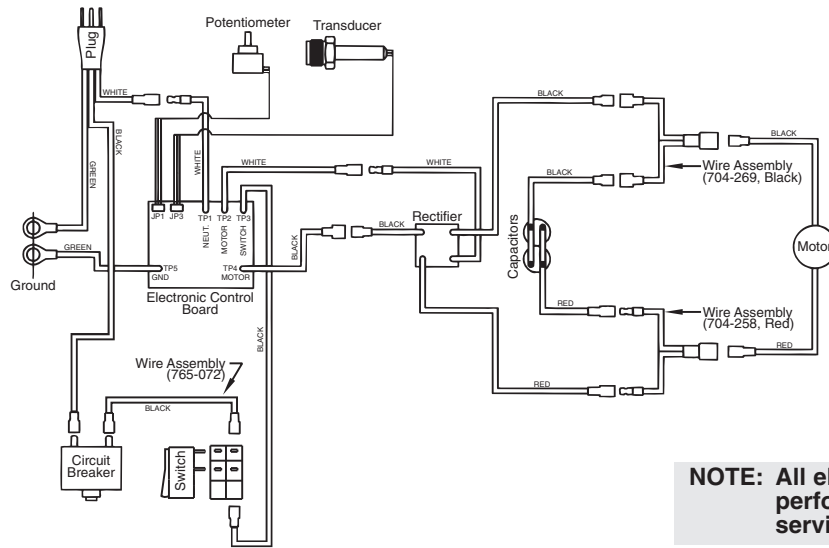
| Article | Nº de pièce | Description | Quantité |
|---------|-------------|---|----------|
| 1 | 704-263 | Flexible de retour | 1 |
| 2 | 704-121 | Joint torique | 2 |
| | 704-109 | Joint torique, pour solvants chauds (facultatif) | |
| 3 | 700-1024 | Coude | 1 |
| 4 | 704-127 | Agrafe de retenue | 1 |
| 5 | 700-1023 | Flexible de siphon (articles 2-4 et 7) ...1 | |
| 6 | 755-135 | Agrafe | 1 |
| 7 | 700-805 | Crépine d'entrée | 1 |

Español

| Artículo | Pieza # | Descripción | Cantidad |
|----------|----------|--|----------|
| 1 | 704-263 | Ensamblaje del tubo de retorno | 1 |
| 2 | 704-121 | Junta tórica | 2 |
| | 704-109 | Junta tórica (para solventes calientes, opcional) | |
| 3 | 700-1024 | Codo | 1 |
| 4 | 704-127 | Sujetador de retención | 1 |
| 5 | 700-1023 | Manguera de sifón (incluye artículos 2-4 y 7) | 1 |
| 6 | 755-135 | Sujetador | 1 |
| 7 | 700-805 | Malla de entrada | 1 |

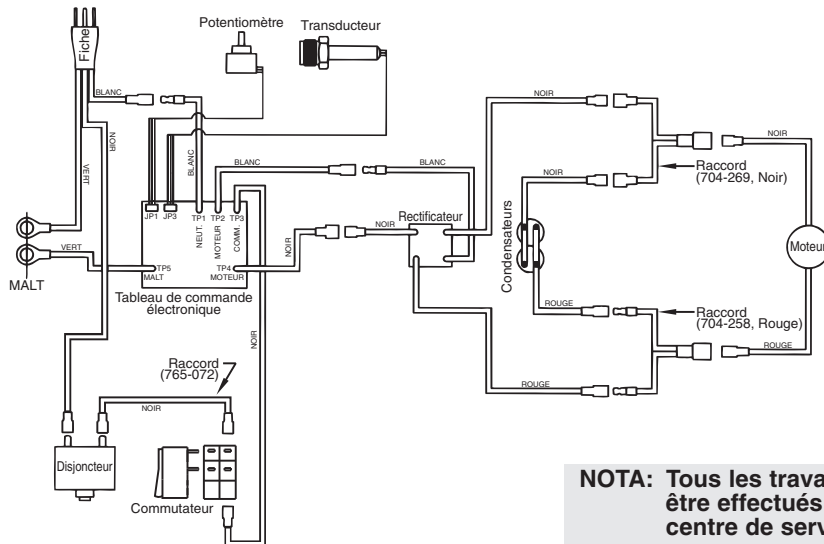
Electrical Schematic • Schéma de raccordement électrique • Esquema eléctrico

English



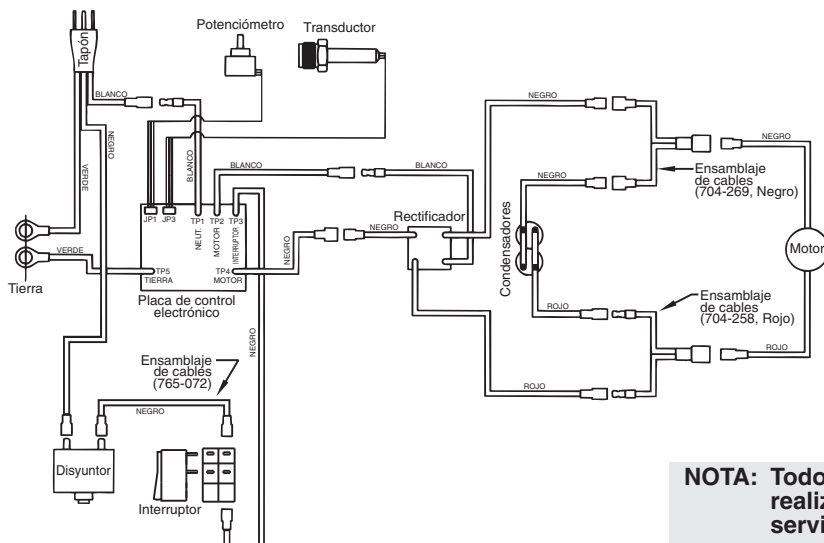
NOTE: All electrical work should be performed by an authorized service center.

Français



NOTA: Tous les travaux d'électricité doivent être effectués par le personnel d'un centre de service autorisé.

Español



NOTA: Todo trabajo eléctrico debe realizarlo un centro de servicio autorizado.

Accessories

Airless Tip Selection

Tips are selected by the orifice size and fan width. The proper selection is determined by the fan width required for a specific job and by the orifice size that will supply the desired amount of fluid and accomplish proper atomization.

For light viscosity fluids, smaller orifice tips generally are desired. For heavier viscosity materials, larger orifice tips are preferred. Please refer to the chart below.

NOTE: Do not exceed the sprayer's recommended tip size.

The following chart indicates the most common sizes and the appropriate materials to be sprayed.

| Tip Size | Spray Material | Filter Type |
|-------------|-------------------------------------|-----------------|
| .011 – .013 | Lacquers and stains | 100 mesh filter |
| .015 – .019 | Oil and latex | 60 mesh filter |
| .021 – .026 | Heavy bodied latex and blockfillers | 30 mesh filter |

Fan widths measuring 8" to 12" (20 to 30 cm) are preferred because they offer more control while spraying and are less likely to plug.

Liquid Shield Plus

Cleans and protects spray systems against rust, corrosion and premature wear. Now with -25° anti-freeze protection.

| Part # | Description |
|---------|----------------|
| 314-483 | 4 ounce bottle |
| 314-482 | 1 quart bottle |



Piston Lube

Specially formulated to prevent materials from adhering to the piston rod, which becomes abrasive to the upper seals. Piston Lube will break down any material that may accumulate in the oil cup and keep it from drying.

| Part # | Description |
|---------|----------------|
| 314-481 | 4 ounce bottle |
| 314-480 | 8 ounce bottle |



Miscellaneous

| Part No. | Description |
|----------|---|
| 490-012 | Hose Coupling, 1/4" x 1/4" |
| 730-397 | High Pressure Fl. Gauge |
| 314-171 | Lubriplate, 14 ounce individual |
| 314-172 | Lubriplate, 6 lb. can |
| 700-1037 | Electrostatic discharge (ESD) wrist strap |

Accessoires

Gamme d'embouts à dépression

On choisit les embouts en fonction de la grosseur de leur orifice (selon la quantité de produit qu'on veut étendre et le degré d'atomisation requis) et de la largeur du ventilateur, selon les travaux exigés.

En présence de liquides moins visqueux, on recommande généralement les embouts à orifice plus petit, tandis que pour les produits plus épais, on préfère les embouts à plus gros orifice. Se reporter au tableau ci-dessous.

NOTA: Ne pas choisir un embout plus gros que celui recommandé pour le vaporisateur.

Le tableau suivant indique quels embouts utiliser selon le produit à vaporiser.

| Grosseur d'embout | Produit utilisé | Type de filtre |
|-------------------|---|----------------|
| .011 – .013 | Laques et teintures | 100 mailles |
| .015 – .019 | Peintures à l'huile ou au latex | 60 mailles |
| .021 – .026 | Peintures au latex épaisses ou matériaux de remplissage | 30 mailles |

On préférera les ventilateurs d'une largeur de 20 à 30 cm (8 à 12 po) parce qu'ils augmentent la maîtrise de l'utilisateur et risquent moins de s'obstruer.

Liquid Shield

Nettoie et protège les systèmes de vaporisation de la rouille, de la corrosion et de l'usure prématurée. Maintenant avec la protection d'antigel de -25°.

| N° de pièce | Description |
|-------------|----------------------|
| 314-483 | Bouteille de 4 oz |
| 314-482 | Bouteille de 1 quart |



Piston Lube

Spécialement formulé pour empêcher les produits d'adhérer à la tige des pistons, ce qui tend à endommager les joints supérieurs. Le Piston Lube décompose tous les matériaux qui risquent de s'accumuler dans la cuvette d'égouttage et les empêchent de sécher.

| N° de pièce | Description |
|-------------|-------------------|
| 314-481 | Bouteille de 4 oz |
| 314-480 | Bouteille de 8 oz |



Divers

| N° de pièce | Description |
|-------------|---|
| 490-012 | Raccord de flexible (0,6 cm2 [1/4 po2]) |
| 730-397 | Indicateur haute pression (liquides) |
| 314-171 | Lubriplate, contenant d'environ 400 g (14 oz) |
| 314-172 | Lubriplate, contenant d'environ 3 kg (6 lb) |

Accesorios

Selección de la punta sin aire

Las puntas se seleccionan por el tamaño de orificio y la amplitud de abanico. La selección correcta se determina según la amplitud de abanico necesaria para un trabajo específico y por el tamaño de orificio que suministrará la cantidad de líquido deseada y logrará la atomización adecuada.

Para líquidos de viscosidad ligera, generalmente se prefieren las puntas con orificios pequeños. Para materiales con más viscosidad, se prefieren las puntas con orificios más grandes. Consulte la tabla a continuación.

NOTA: No exceda el tamaño de punta recomendada para el rociador.

La tabla siguiente indica los tamaños más comunes y los materiales más adecuado para rociar.

| Tamaño de punta | Material a rociar | Tipo de filtro |
|-----------------|----------------------------------|---------------------|
| .011 – .013 | Lacas y barnices | Filtro de malla 100 |
| .015 – .019 | Pintura a base de aceite y látex | Filtro de malla 30 |
| .021 – .026 | Látex espeso y rellenos | Filtro de malla 60 |

Las amplitudes de abanico entre 8 y 12 pulgadas (20 a 30 cm) son preferibles porque ofrecen más control al rociar y es menos probable que causen obstrucciones.

Protector líquido Liquid Shield

Limpia y proteger los sistemas de rociado contra el óxido, la corrosión y el desgaste prematuro. Ahora con la protección del anticongelante de -25°.

| Pieza # | Descripción |
|---------------|------------------------------|
| 314-483 | Botella de 4 onzas |
| 314-482 | Botella de 1 cuarto de galón |



Lubricante para pistones Piston Lube

Formulado especialmente para evitar que los materiales se adhieran a la vara del pistón, lo cual es abrasivo para los sellos superiores. El Piston Lube degrada todo material que pueda acumularse en el recipiente y evita que se seque.

| Pieza # | Descripción |
|---------------|--------------------|
| 314-481 | Botella de 4 onzas |
| 314-480 | Botella de 8 onzas |



Varios

| Part No. | Description |
|---------------|--|
| 490-012 | Acoplamiento de manguera, 1/4 x 1/4 de pulgada |
| 730-397 | Fl.de alta presión Medidor |
| 314-171 | Lubriplate, individual de 14 onzas |
| 314-172 | Lubriplate, lata de 6 lb. |

Warranty • Garantie • Garantía

Titan Tool, Inc., ("Titan") warrants that at the time of delivery to the original purchaser for use ("End User"), the equipment covered by this warranty is free from defects in material and workmanship. With the exception of any special, limited, or extended warranty published by Titan, Titan's obligation under this warranty is limited to replacing or repairing without charge those parts which, to Titan's reasonable satisfaction, are shown to be defective within twelve (12) months after sale to the End User. This warranty applies only when the unit is installed and operated in accordance with the recommendations and instructions of Titan.

This warranty does not apply in the case of damage or wear caused by abrasion, corrosion or misuse, negligence, accident, faulty installation, substitution of non-Titan component parts, or tampering with the unit in a manner to impair normal operation.

Defective parts are to be returned to an authorized Titan sales/service outlet. All transportation charges, including return to the factory, if necessary, are to be borne and prepaid by the End User. Repaired or replaced equipment will be returned to the End User transportation prepaid.

THERE IS NO OTHER EXPRESS WARRANTY. TITAN HEREBY DISCLAIMS ANY AND ALL IMPLIED WARRANTIES INCLUDING, BUT NOT LIMITED TO, THOSE OF MERCHANTABILITY AND FITNESS FOR A PARTICULAR PURPOSE, TO THE EXTENT PERMITTED BY LAW. THE DURATION OF ANY IMPLIED WARRANTIES WHICH CANNOT BE DISCLAIMED IS LIMITED TO THE TIME PERIOD SPECIFIED IN THE EXPRESS WARRANTY. IN NO CASE SHALL TITAN LIABILITY EXCEED THE AMOUNT OF THE PURCHASE PRICE. LIABILITY FOR CONSEQUENTIAL, INCIDENTAL OR SPECIAL DAMAGES UNDER ANY AND ALL WARRANTIES IS EXCLUDED TO THE EXTENT PERMITTED BY LAW.

TITAN MAKES NO WARRANTY AND DISCLAIMS ALL IMPLIED WARRANTIES OF MERCHANTABILITY AND FITNESS FOR A PARTICULAR PURPOSE WITH RESPECT TO ACCESSORIES, EQUIPMENT, MATERIALS OR COMPONENTS SOLD BUT NOT MANUFACTURED BY TITAN. THOSE ITEMS SOLD, BUT NOT MANUFACTURED BY TITAN (SUCH AS GAS ENGINES, SWITCHES, HOSES, ETC.) ARE SUBJECT TO THE WARRANTY, IF ANY, OF THEIR MANUFACTURER. TITAN WILL PROVIDE THE PURCHASER WITH REASONABLE ASSISTANCE IN MAKING ANY CLAIM FOR BREACH OF THESE WARRANTIES.

Titan Tools, inc. (« Titan ») garantit qu'au moment de la livraison à l'acheteur original (« Utilisateur »), l'appareil couvert par la présente garantie sera exempt de défauts de matériaux et de fabrication. Les responsabilités de Titan en vertu de cette garantie se limitent au remplacement ou à la réparation sans frais des pièces dont on aura, à la satisfaction raisonnable de Titan, démontré la défectuosité dans un délai de douze (12) mois après la date d'achat par l'Utilisateur. Cette garantie ne s'applique que si l'appareil a été installé et utilisé conformément aux recommandations et directives de Titan.

Cette garantie ne s'applique pas dans les cas d'endommagement ou d'usure engendrés par de l'abrasion, de la corrosion, un mauvais usage, de la négligence, un accident, une installation incorrecte, un remplacement par des composants non fournis par Titan ou toute intervention non autorisée apte à nuire au fonctionnement normal de l'appareil.

Les pièces défectueuses doivent être envoyées à un centre de service/vente Titan autorisé; les frais de transport, incluant le retour à l'usine, le cas échéant, doivent être défrayés à l'avance par l'Utilisateur. Une fois remplacées ou réparées, les pièces seront renvoyées à ce dernier par transport prépayé.

AUCUNE AUTRE GARANTIE EXPLICITE N'EST DONNÉE. PAR LES PRÉSENTES, TITAN SE DÉGAGE DE TOUTE AUTRE GARANTIE IMPLICITE, INCLUANT, SANS TOUTEFOIS S'Y LIMITER, LES GARANTIES DE COMMERCIALISABILITÉ ET D'ADAPTATION À UN USAGE PARTICULIER, DANS LES LIMITES PERMISES PAR LA LOI. LA DURÉE DES GARANTIES IMPLICITES NE POUVANT ÊTRE DÉCLINÉES SE LIMITE À LA PÉRIODE INDIQUÉE DANS LA GARANTIE EXPLICITE. LES RESPONSABILITÉS DE TITAN NE SAURAIENT EN AUCUN CAS SE CHIFFRER À UN MONTANT SUPÉRIEUR À CELUI DU PRIX D'ACHAT, ET CELLES RELATIVES AUX DOMMAGES CONSÉCUTIFS, ACCESSOIRES OU PARTICULIERS EN VERTU DE TOUTE GARANTIE SONT ÉGALEMENT DÉCLINÉES, DANS LES LIMITES PERMISES PAR LA LOI.

TITAN NE DONNE AUCUNE AUTRE GARANTIE EXPLICITE ET DÉCLINE TOUTE GARANTIE IMPLICITE DE COMMERCIALISABILITÉ ET D'ADAPTATION À UN USAGE PARTICULIER RELATIVEMENT AUX ACCESSOIRES, À L'ÉQUIPEMENT, AUX MATÉRIAUX OU AUX COMPOSANTS VENDUS MAIS NON FABRIQUÉS PAR ELLE; CES ÉLÉMENTS (MOTEURS À ESSENCE, COMMUTATEURS, FLEXIBLES, ETC.) SONT PLUTÔT SOUMIS, LE CAS ÉCHÉANT, AUX GARANTIES DE LEUR FABRICANT. TITAN S'ENGAGE À OFFRIR UN SOUTIEN RAISONNABLE AUX UTILISATEURS QUI FERONT DES RÉCLAMATIONS RELATIVES À L'INOBSERVATION DE CES GARANTIES.

Titan Tool, Inc., ("Titan") garantiza que en el momento de la entrega al comprador original para su uso ("Usuario final"), el equipo cubierto por esta garantía está exento de defectos en material y fabricación. La obligación de Titan en virtud de esta garantía se limita a sustituir o reparar sin cargo las piezas que; a la entera satisfacción de Titan, demuestren estar defectuosas dentro de doce (12) meses después de la venta al usuario final. Esta garantía corresponde solamente cuando la unidad se instala y funciona según las recomendaciones e instrucciones de Titan.

Esta garantía no corresponde en el caso de daños o desgaste causados por abrasión, corrosión o uso indebido, negligencia, accidente, instalación errada, sustitución de piezas con componentes que no sean Titan o alteraciones con la unidad de tal modo que se vea afectado el funcionamiento normal.

Las piezas defectuosas deben devolverse a un centro de ventas y servicio autorizado de Titan. Todos los cargos de transporte, incluso la devolución a la fábrica, si es necesario, debe pagarlos previamente el usuario final. El equipo reparado o cambiado se devolverá al usuario final con porte prepago.

NO EXISTE NINGUNA OTRA GARANTÍA EXPRESA. TITAN DESCONOCE POR LA PRESENTE TODA OTRA GARANTÍA IMPLÍCITA INCLUSIVE ENTRE OTRAS, LAS DE COMERCIABILIDAD E IDONEIDAD PARA UN FIN PARTICULAR, EN LA MEDIDA QUE LO PERMITA LA LEY. LA DURACIÓN DE LAS GARANTÍAS IMPLÍCITAS QUE NO PUEDEN DESCONOCERSE SE LIMITA AL PLAZO ESPECIFICADO EN LA GARANTÍA EXPRESA. EN NINGÚN CASO EXCEDERÁ LA RESPONSABILIDAD DE TITAN EL MONTO DEL PRECIO DE COMPRA. LA RESPONSABILIDAD CIVIL POR DAÑOS Y PERJUICIOS RESULTANTES, FORTUITOS O ESPECIALES BAJO TODA GARANTÍA QUEDA EXCLUIDA EN LA MEDIDA QUE LO PERMITA LA LEY.

TITAN NO OFRECE GARANTÍAS Y DESCONOCE TODA GARANTÍA IMPLÍCITA DE COMERCIABILIDAD E IDONEIDAD PARA UN FIN PARTICULAR REFERENTE A ACCESORIOS, EQUIPO, MATERIALES O COMPONENTES VENDIDOS PERO NO FABRICADOS POR TITAN. AQUELLOS ARTÍCULOS VENDIDOS, PERO NO FABRICADOS POR TITAN (COMO LOS MOTORES DE GAS, INTERRUPTORES, MANGUERAS, ETC.) ESTÁN PROTEGIDOS POR LA GARANTÍA DE SU PROPIO FABRICANTE, SI LA HAY. TITAN PROPORCIONARÁ AL COMPRADOR ASISTENCIA RAZONABLE PARA EFECTUAR RECLAMOS EN CASO DE INCUMPLIMIENTO DE ESTAS GARANTÍAS.

Material Safety Data Sheets (MSDS) are available on Titan's website or by calling Customer Service.



United States Sales & Service

1-800-526-5362

Fax 1-800-528-4826

556 Commerce Street
Franklin Lakes, NJ 07417

www.titantool.com

Canadian Branch

1-800-565-8665

Fax 1-905-856-8496

200 Trowers Road, Unit 7B
Woodbridge, Ontario L4L 5Z8

International

1-201-337-1240

Fax 1-201-405-7449

556 Commerce Street
Franklin Lakes, NJ 07417 USA